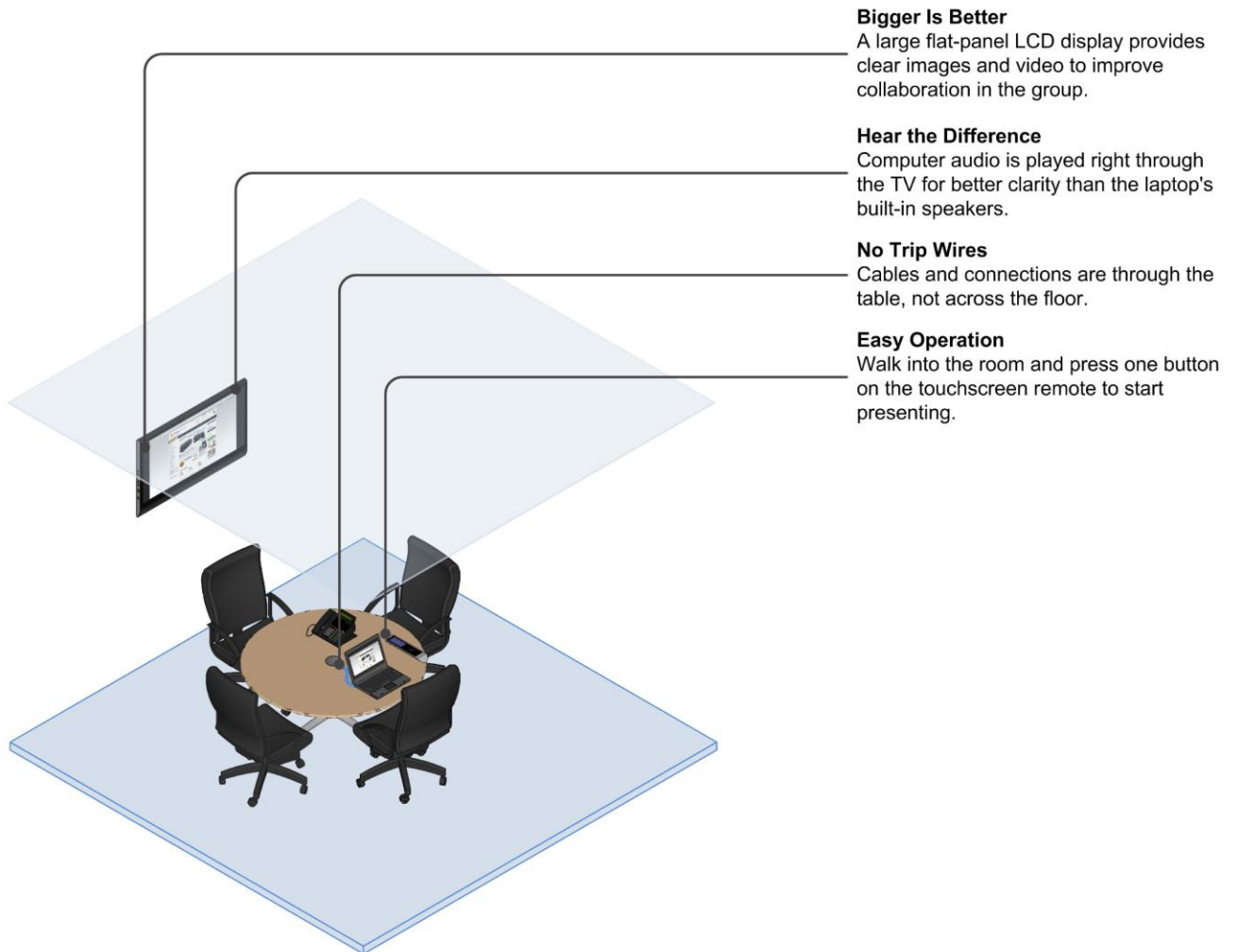


# Small Meeting Room

## Description

---

This small meeting space is a great area for peers to collaborate and share ideas. It includes a flat panel display with easy-to-access computer connections at the table. A programmable touchscreen remote provides simple one-button operation of the system.



### **Bigger Is Better**

A large flat-panel LCD display provides clear images and video to improve collaboration in the group.

### **Hear the Difference**

Computer audio is played right through the TV for better clarity than the laptop's built-in speakers.

### **No Trip Wires**

Cables and connections are through the table, not across the floor.

### **Easy Operation**

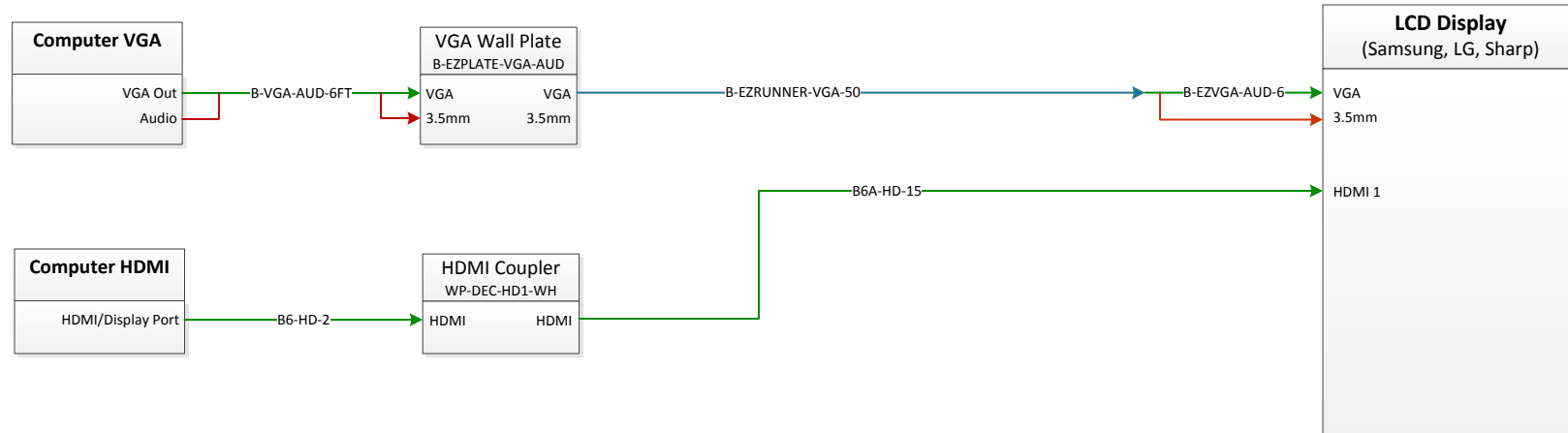
Walk into the room and press one button on the touchscreen remote to start presenting.

## Features

---

- Flatpanel LCD display
- Computer connections hidden inside conference table
- Simple operation using URC's Total Control touchscreen remote

# Small Meeting Room



## Legend

- Audio
- Video
- Control
- Power

## Notes:

1. Typical mounting height for display is 60" above floor to center of display
2. Remove couplers from supplied wall plates and mount under table using zip ties and mounts



1-888-731-7316

**Staub**  
ELECTRONICS LTD.  
"THE INSTALLERS CHOICE" SINCE 1981  
SYSTEM DESIGN SOLUTIONS

Use of Staub Electronics system design diagrams is at your sole risk. Neither Staub Electronics, its affiliates, suppliers, employees nor agents make any warranty as to the results that may be obtained from the use of these designs, or as to the accuracy, reliability, completeness of any content, information or technical specifications outlined here within.