

TRIAD QUICK START GUIDE - GARDEN ARRAY GA4SAT WALL MOUNT KIT

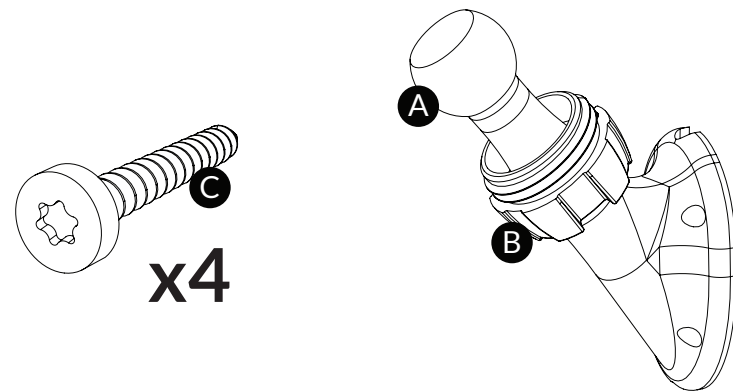
OVERVIEW

Triad Speakers Garden Array is a weatherproof outdoor speaker system combining discreet high-performance sats with separate GA10 Subwoofers for deep bass. With Triad's unique broad hemispherical drivers blanketing listeners with 150 degree broadband dispersion, GA4 Sats fill outdoor areas evenly so everyone gets similar volume levels and tonal balance without the beaming or hot spotting of conventional designs. Suited for a wide variety of applications, Garden Array can scale to fill large or small areas.

GA4 Sats can be driven in sets of two or four by stereo amplifiers or receivers. To cover large areas, multiple Sats can be tapped at 3.75 to 30 watts for 70V amplifiers or 7.5 to 30 watts for 100V amplifiers.

IN THE BOX

- A - Wall mount
- B - Collet nut (attached)
- C - M4 x 38 mm T20 Torx screws (x4)



WARRANTY

Triad Speakers warranty information

Limited Hardware Warranty—Triad Speakers warrants its hardware product to be free from defects in material and workmanship during the warranty period. If the hardware proves to be defective in material or workmanship during the warranty period, Triad Speakers will, at its sole option, repair or replace the product with a like product. The warranty extends only to products purchased directly from Control4 Corporation or an Authorized Control4 Dealer. For complete limited warranty information, including details on purchaser legal rights as well as limited warranty exclusions, visit www.Triad.com/legal/warranty.

Return Merchandise Authorization (RMA) information

For Sales RMAs contact your Inside Sales Associate. Your ISA information can be found in the My Account section of the Dealer Portal under Control4 Contacts.

Technical Support information

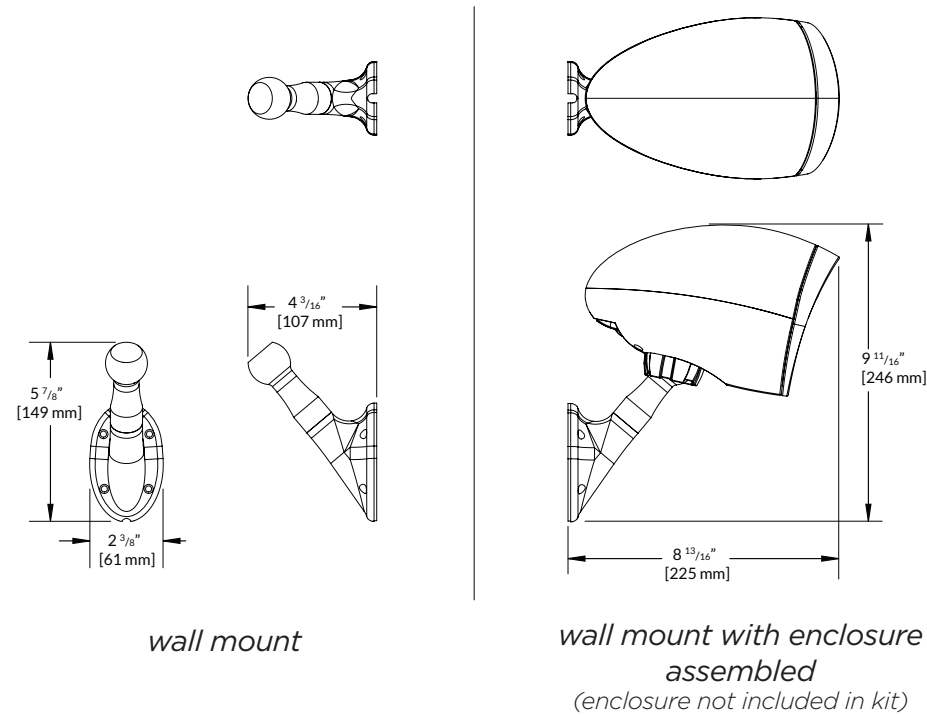
Phone: 503-517-2668
Hours: 9:00 a.m. – 5:30 p.m. PST (Monday – Friday)
Email: service@triadspeakers.com

TOOLS NEEDED

In addition to typical installation tools, Triad recommends the following item:

- T20 Torx driver

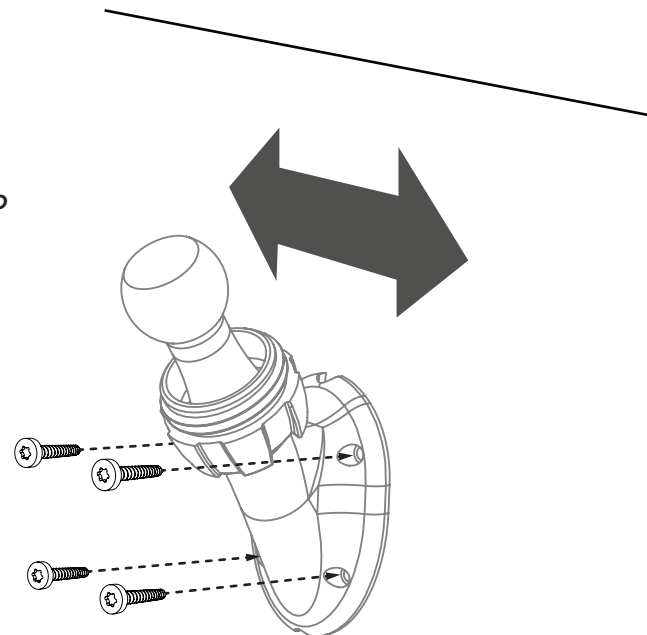
DIMENSIONS - GA4 SAT WALL MOUNT KIT



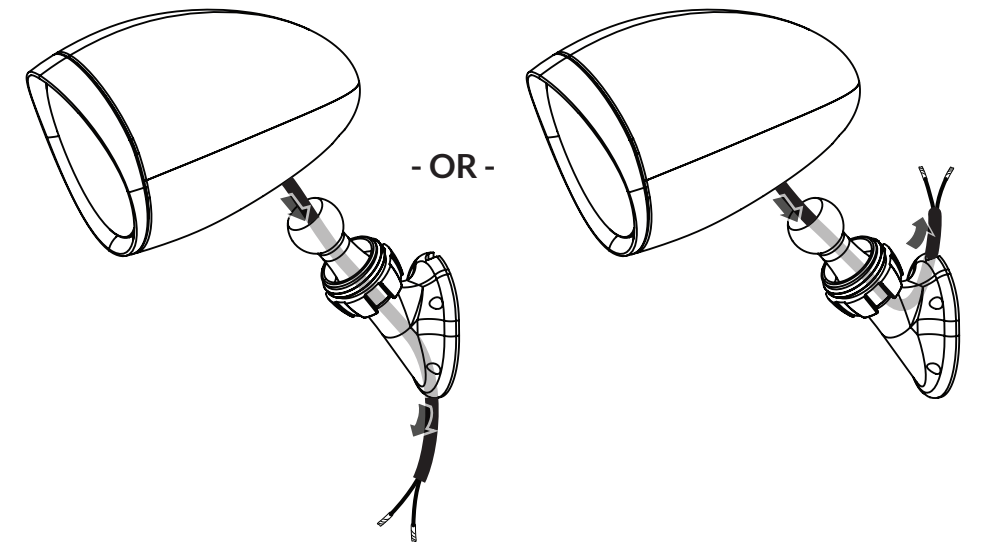
Copyright ©2017, Control4 Corporation. All rights reserved. Control4 and the Control4 logo are registered trademarks or trademarks of Control4 Corporation or its subsidiaries in the United States and/or other countries. All other names and brands may be claimed as the property of their respective owners. All specifications subject to change without notice.

ASSEMBLY

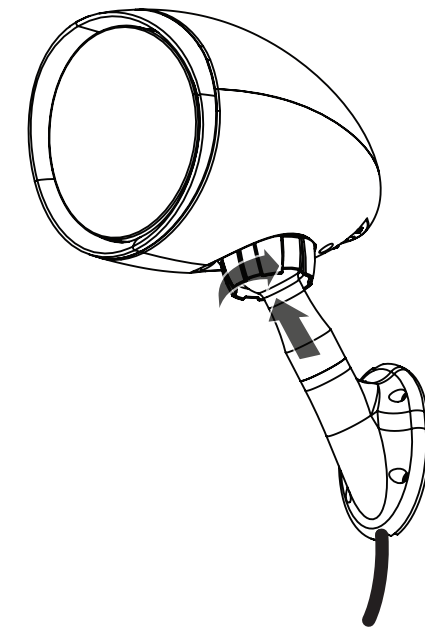
- 1 Determine the desired placement of the wall mount. Use included mounting screws to attach the wall mount to a wall or other intended mounting surface.



- 2 Thread the cord from the enclosure (not included) through the wall mount. Note that wire can exit the wall mount through holes in the top or bottom.



- 3 Slide the collet nut up to the enclosure and lightly tighten in place.



- 4 Adjust the enclosure to your desired direction and tilt. Tighten the collet nut to secure in place when finished.

