

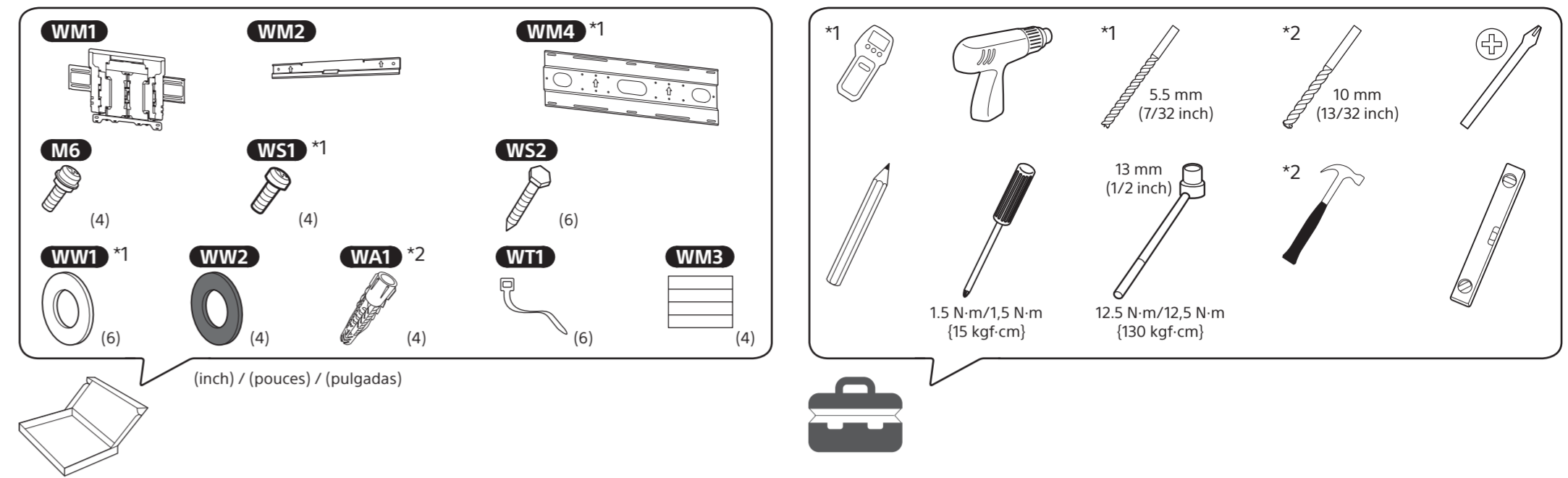
# Wall-Mount Bracket Installation Guide

SU-WL855

- US Installation Guide
- FR Guide d'installation
- ES Guía de instalación

Read the supplied Safety Information before installing the TV to the wall.  
 Lisez les consignes de sécurité fournies avant d'installer le téléviseur au mur.  
 Lea la información de seguridad suministrada antes de instalar la TV en la pared.

Lea este manual antes de usar el producto



Parts list:

- WM1 (4)
- WM2 (4)
- WM4 \*1 (6)
- M6 (4)
- WS1 \*1 (4)
- WS2 (6)
- WW1 \*1 (6)
- WW2 (4)
- WA1 \*2 (4)
- WT1 (6)
- WM3 (4)

Tools:

- \*1 Spirit level
- \*1 Power drill
- \*1 5.5 mm (7/32 inch) drill bit
- \*2 10 mm (13/32 inch) drill bit
- \*1 Pencil
- \*1 Screwdriver
- \*1 13 mm (1/2 inch) Allen key
- \*2 Hammer
- \*1 Level

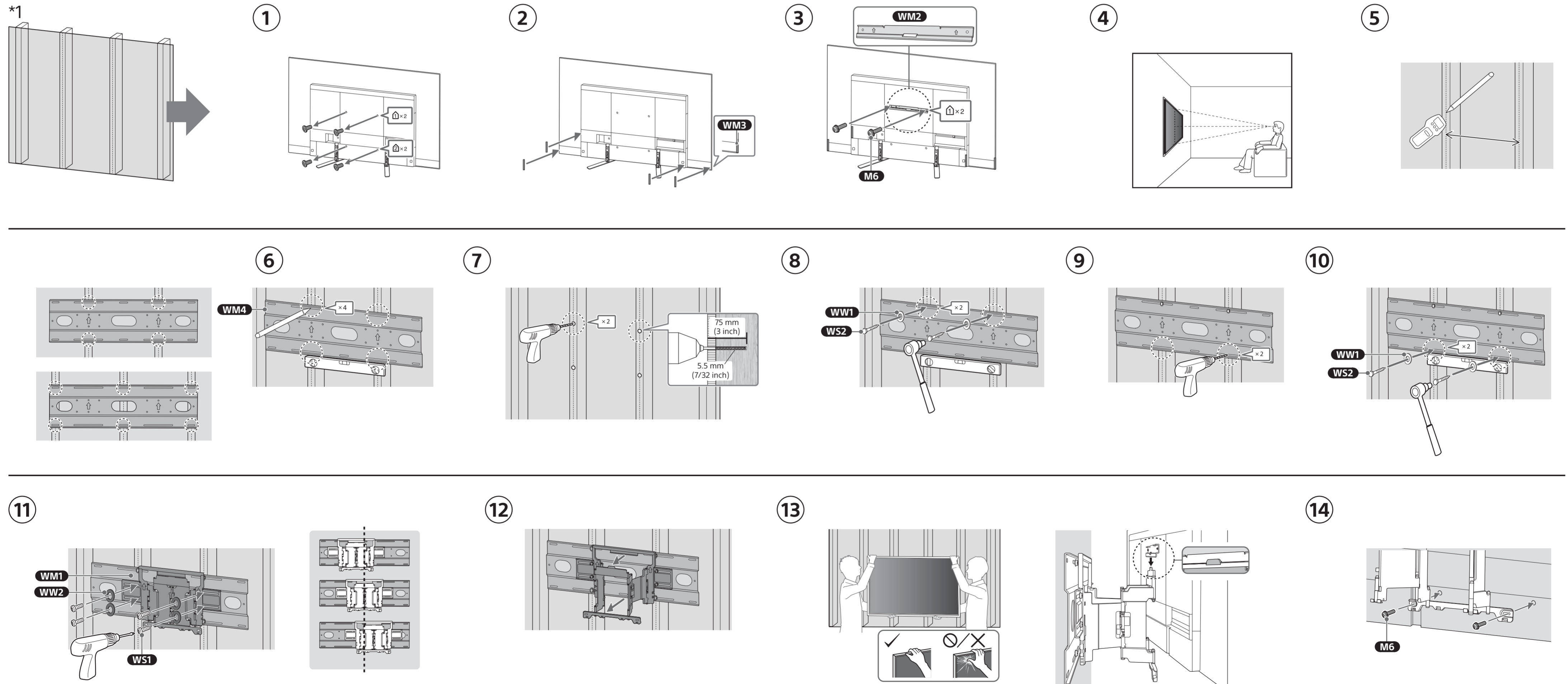
Tightening torques:


- 1.5 N·m / 1.5 N·m (15 kgf·cm)
- 12.5 N·m / 12.5 N·m (130 kgf·cm)

(inch) / (pouces) / (pulgadas)

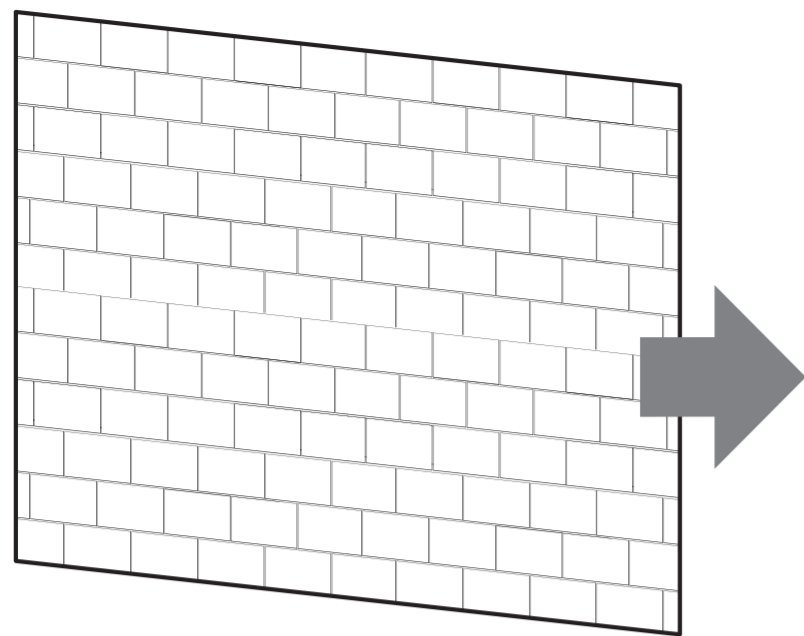

<https://www.sony.com/am/support>


<http://www.sony.net/tv-how-to-videos>

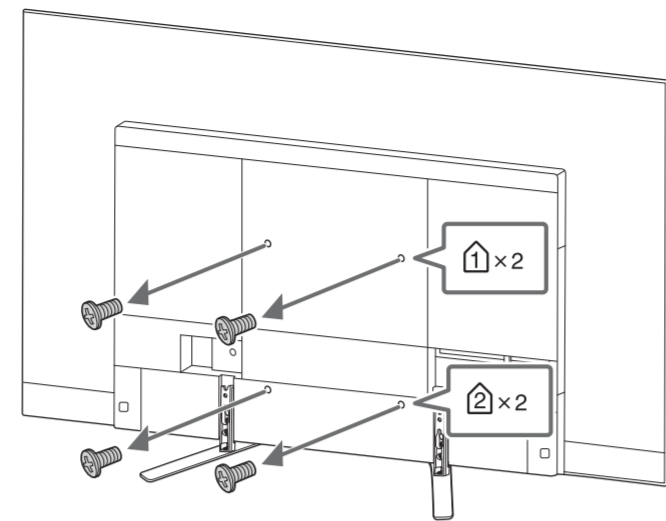


1. Unfold the bracket.
2. Attach the TV to the bracket using M6 screws (2).
3. Attach the TV to the bracket using M6 screws (2).
4. Check the viewing angle.
5. Mark the wall with a pencil.
6. Attach the WM4 bracket to the wall using 4 screws.
7. Drill holes in the wall (2) using a 75 mm (3 inch) drill bit and a 5.5 mm (7/32 inch) drill bit.
8. Attach the WW1 and WS2 brackets to the wall using 2 screws.
9. Attach the WS2 bracket to the wall using 2 screws.
10. Attach the WW1 and WS2 brackets to the wall using 2 screws.
11. Attach the WM1 and WM2 brackets to the wall using WS1 screws.
12. Attach the TV to the wall using M6 screws.
13. Check the TV is mounted correctly. 
14. Attach the TV to the wall using M6 screws.

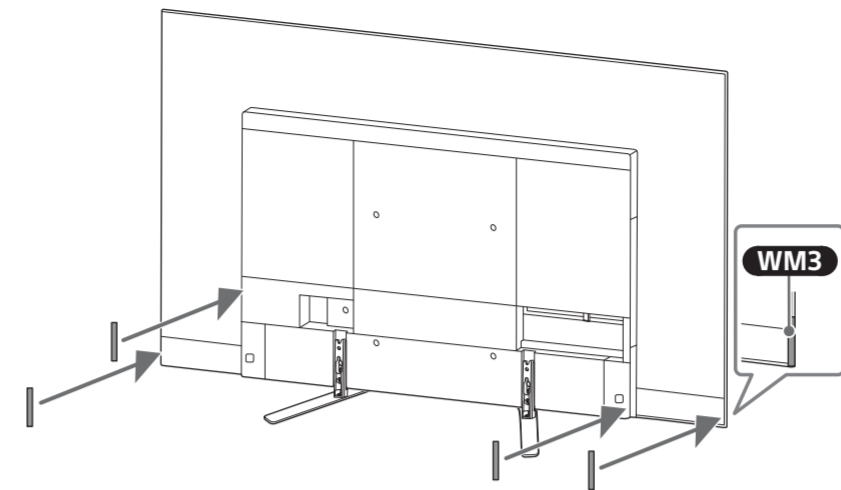
\*2



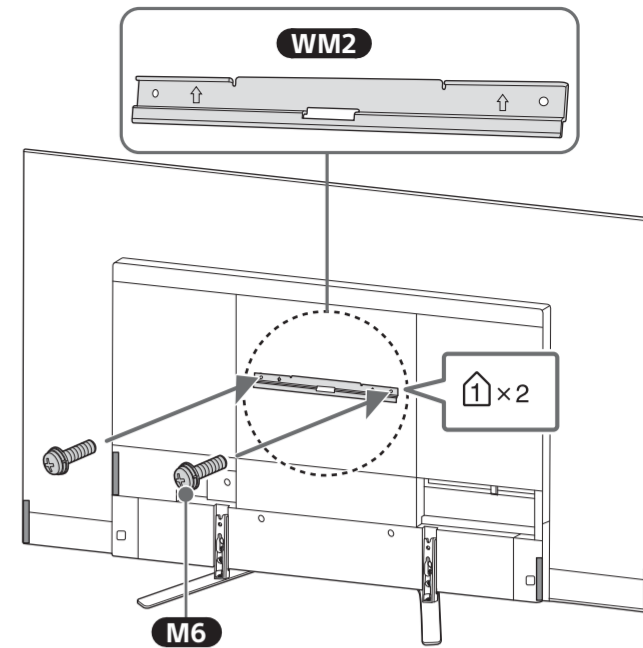
1



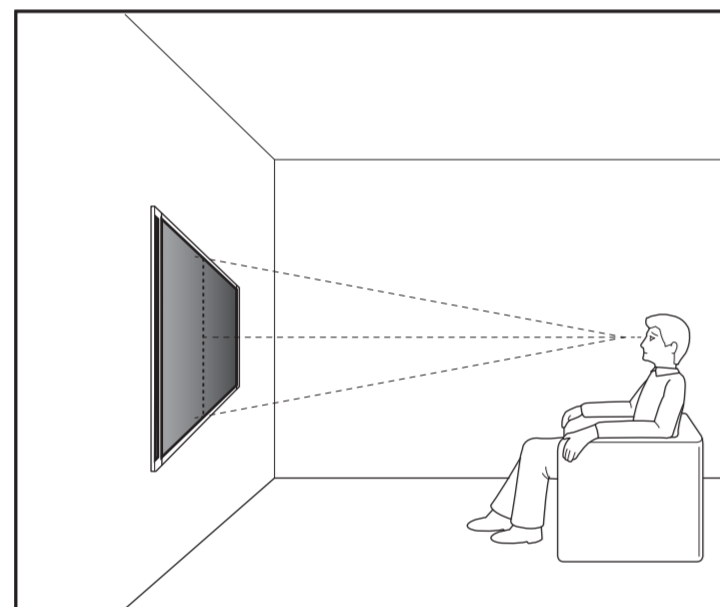
2



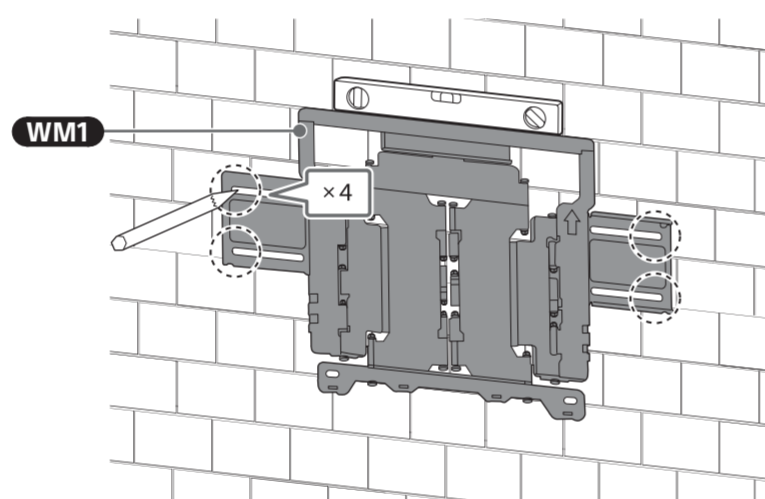
3



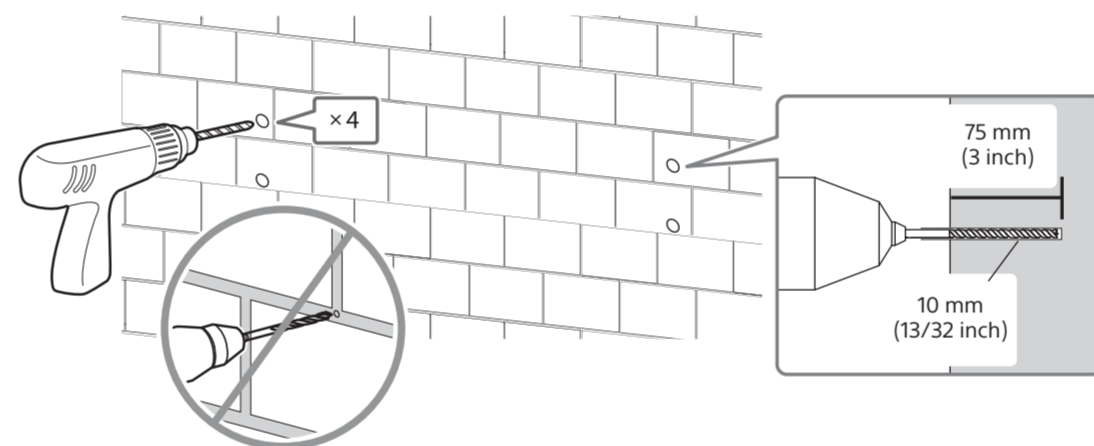
4



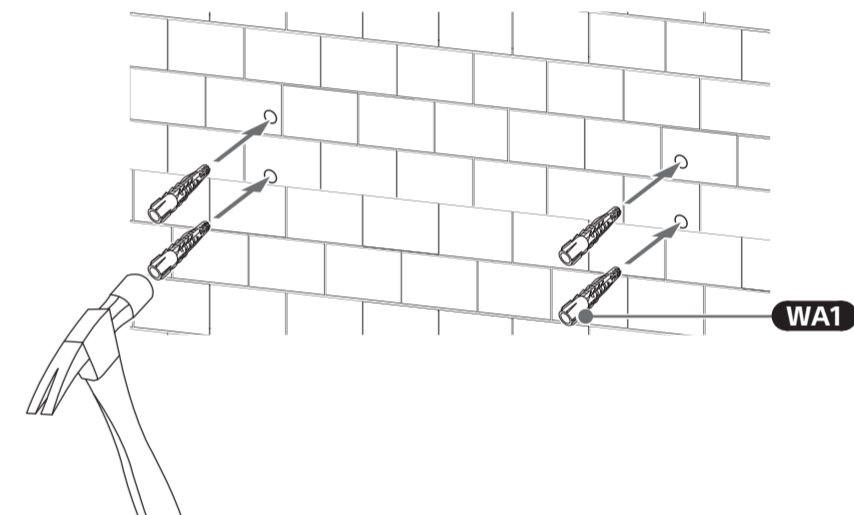
5



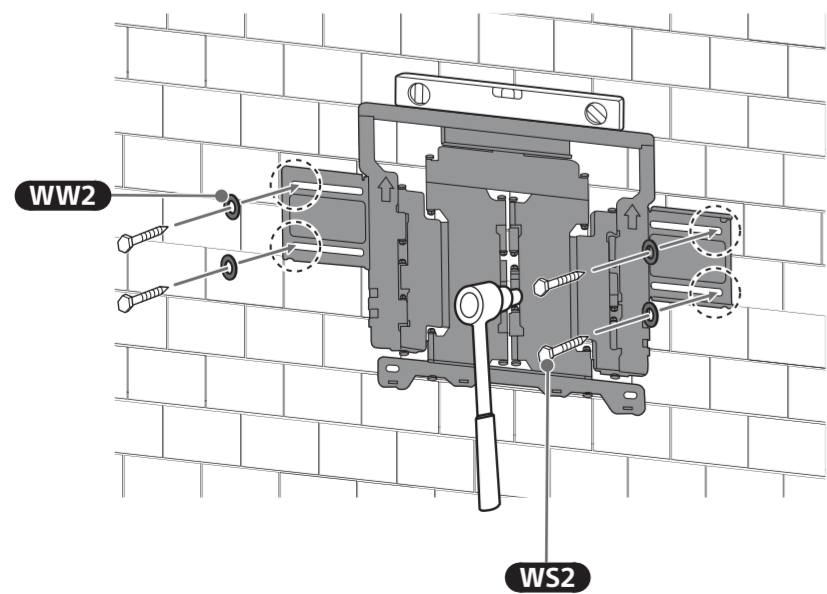
6



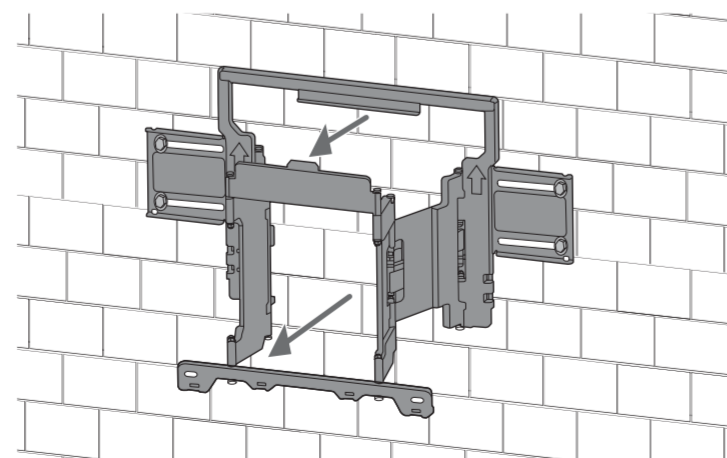
7



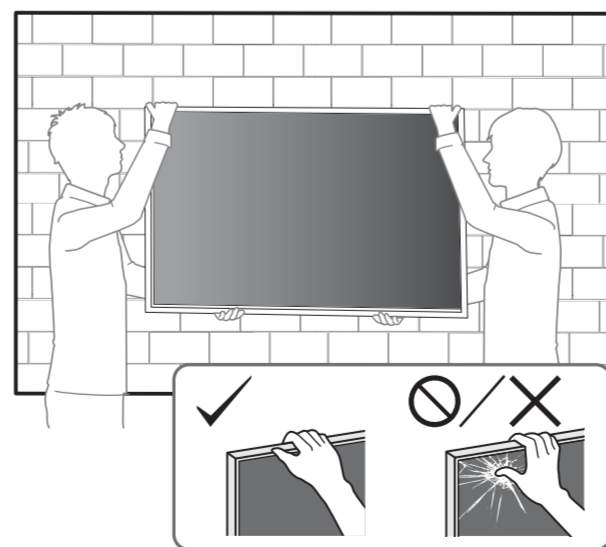
8



9



10



11

