

## For up to VESA 400x600- Large Displays

- Insert two M8x12mm (O) screws and two 8mm metal washers (S) into top two holes of Adapter Plate. Leave approximately 1/4" of exposed thread (Do NOT tighten fully).
- Lift the display and hook it over the mounting head by lowering the exposed portion of the top screws into the open key slots of Wall Arm Assembly mounting head.
- Once in position, attach the bottom two M8x12mm screws (O) and two 8mm metal washers (S) and secure the Adapter Plate to the mounting head using the Allen Key (S) to tighten down all M8 screws (Figure 11).

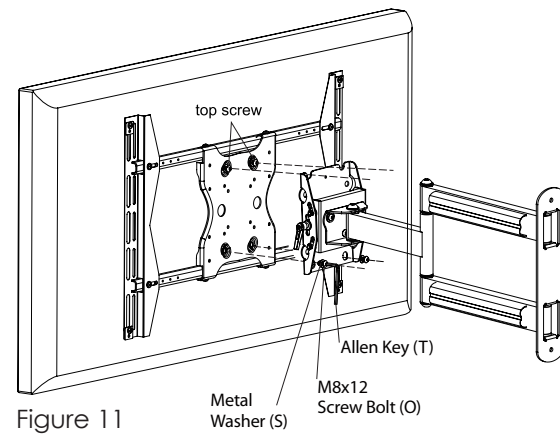


Figure 11

## ADJUSTMENTS:

### Adjust Horizontal Level and Tilt

#### Tilt Adjustment

- Loosen Tilt Levers on each side of mount head (Only enough to allow controlled adjustment) (See Figure 13).
- Adjust Tilt
- Lock Tilt Levers (Tighten)
- Once Tilt Levers are locked, the position of the levers can be adjusted, without loosening or tightening the unit, by pulling the levers outwards and then repositioning them to a vertical, less obtrusive position.

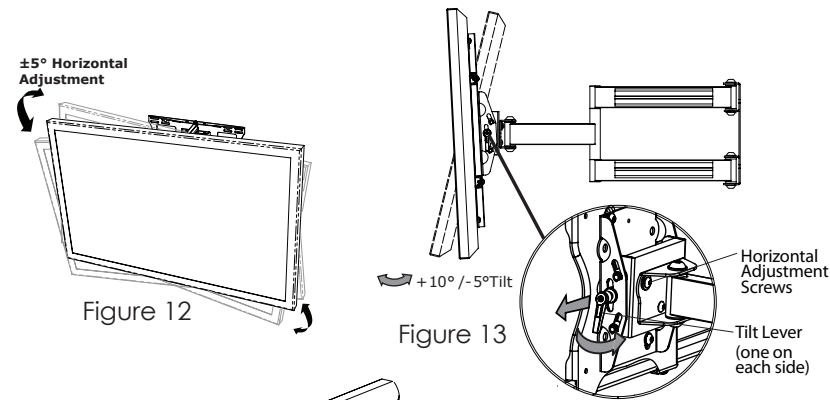


Figure 12

Figure 13

#### Horizontal Adjustment

- To adjust the horizontal angle of the display, first slightly loosen the top two screws on back side of Wall Arm Assembly mounting head using Allen Key (T). Then firmly hold opposite corners of the display and gently turn it into the desired position. When level, re-tighten screws to lock in the position (See Figures 12 & 13).

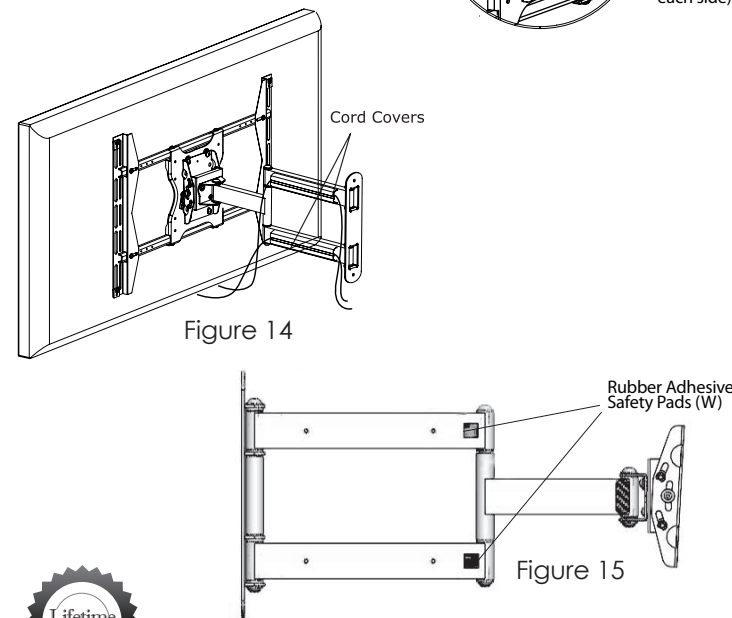


Figure 14

Figure 15



Lifetime Limited Warranty

Strong™ Mounts have a Lifetime Limited Warranty. This warranty includes parts and labor repairs on all components found to be defective in material or workmanship under normal conditions of use. This warranty shall not apply to products which have been abused, modified or disassembled. Products to be repaired under this warranty must be returned to Snap AV or a designated service center with prior notification and an assigned return authorization number (RA).

For Technical Support call 1.866.838.5052

## OTHER FEATURES:

### Cable Management

Install cord covers as shown. Be sure to leave enough slack to allow for movement of the arms (See Figure 14).

### Optional Adhesive Rubber Pads

Included with hardware pack are rubber pads for cushioning impact of arm against the wall when retracting mount. Place pads on opposite side of cable management covers where possible impact points will occur (See Figure 15).

# SM-CS-ART1-M

## Strong™ Contractor Series Universal Single Arm Articulating Mount for Medium Displays (Black)



engineered by  
Snap  
av

### WARNINGS:

- We highly recommend this product be installed by a qualified professional.
- Please do not begin installation until you have thoroughly read and understood these instructions.
- This mount supports display mounting from 26" to 47", VESA 75x75, 100x100, 200x100, 200x200, up to 600x400 and supports a maximum load of 41kgs (90 lbs).
- Ensure the wall that you plan to use will safely support four times the combined weight of the Mount and your chosen display.
- Under no circumstances should this product be mounted to metal studs.
- The manufacturer does not accept responsibility for incorrect installation.

### SPECIFICATIONS:

- Maximum Load: 90 lbs. (41 kg)
- Display Size: 26" to 47"
- Maximum Extension: 24-3/8"
- Wire management
- Pan/Swivel Range: 180°
- Tilt Range: -5° /+ 15°

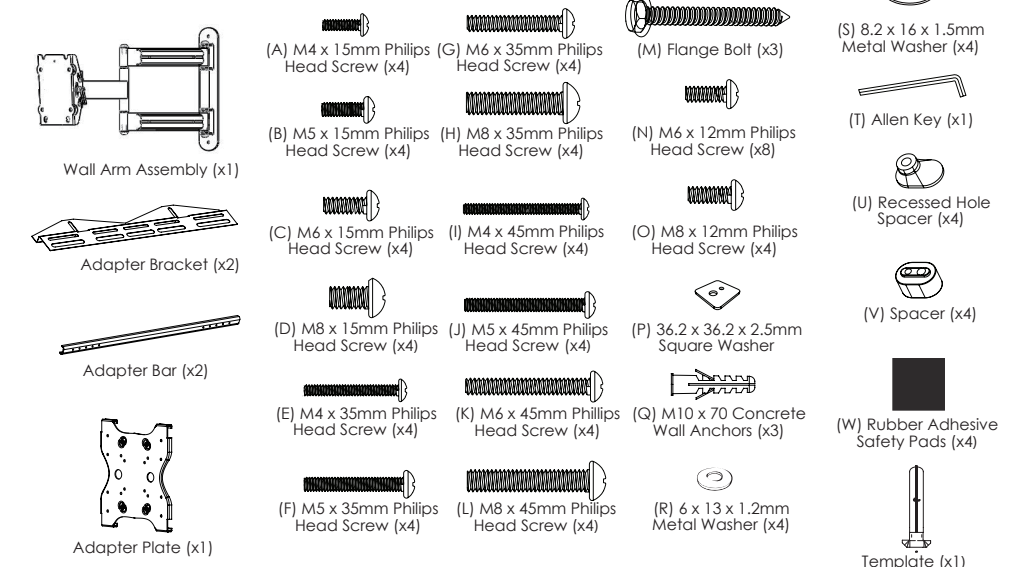
### BOX CONTENTS:

- Wall Arm Assembly (1)
- Adapter Bracket (2)
- Adapter Panel (1)
- Adapter Bar (2)
- Hardware kit (1)

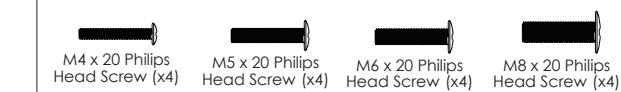
### TOOLS REQUIRED:

- Power Drill
- 5/6" and 1/4" Drill Bit
- Phillips Head Screw Driver
- Level
- 13mm (1/2") Socket Wrench

### PACKAGE CONTENTS:



### Now Includes:



**CAUTION:** This wall mount is intended for use only with the maximum weight of 90 lbs

# INSTALLATION:

## Step 1: Use Template to mark Mounting Hole locations for flange bolts

## Step 2: Mounting the Wall Arm Assembly

### For Mounting on a Stud Wall

- Pre-drill holes into studs using a 1/4" drill bit. Be sure to drill into the center of the studs. The use of a stud finder is highly recommended.
- Insert two flange bolts (M) into holes through the wall plate and tighten down. Be sure the Wall Arm Assembly is mounted with the key slots pointing upwards (See Figure 1).

**WARNING:** Tighten bolts so that wall plate is firmly attached, but do not overtighten. Overtightening can damage the bolts, greatly reducing their holding strength.

### For Mounting on a Concrete Wall

- Pre-drill holes into concrete using 5/16" drill bits. Insert concrete wall anchors (Q) and tap in with hammer, if necessary (Figure 2).

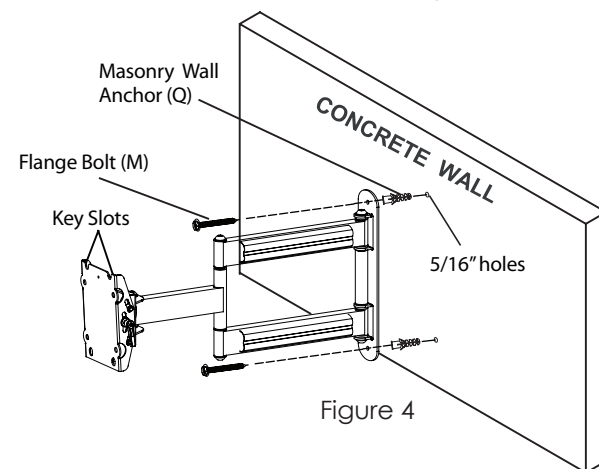
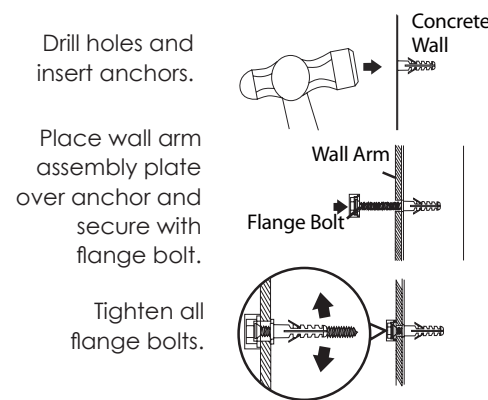
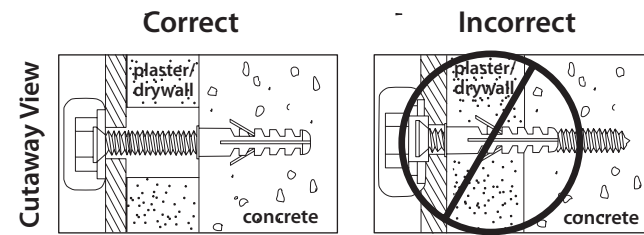
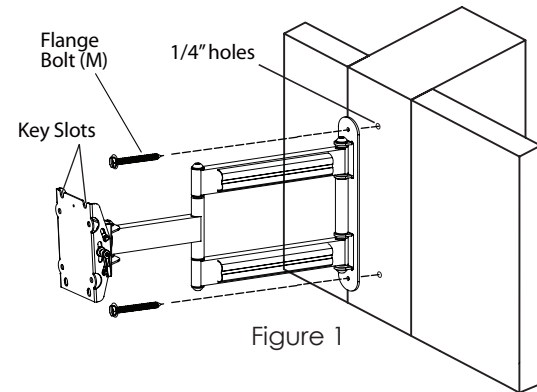
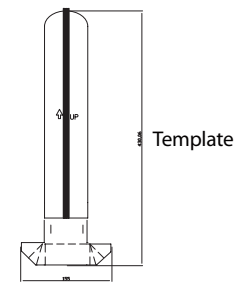
**WARNING:** When installing wall arm assembly on cinder block, verify first that you have a minimum of 1-3/8" of concrete thickness to be used for the concrete anchors. Do not drill into mortar joints! Be sure to mount in a solid part of the block, generally 1" minimum from the side of the block. Cinder block must meet ASTM C-90 specifications. It is suggested that a standard electric drill on slow setting is used to drill the hole instead of a hammer drill to avoid breaking out the back of the hole when entering a void or cavity.

**Concrete must be 2000 psi density minimum. Lighter density concrete may not hold concrete anchor.**

Make sure that the supporting surface will safely support the combined load of the equipment and all attached hardware and components.

- Insert two flange bolts (M) into the wall anchors through the wall plate. Be sure the Wall Arm Assembly is mounted with the key slots pointing upwards (Figures 3 & 4).

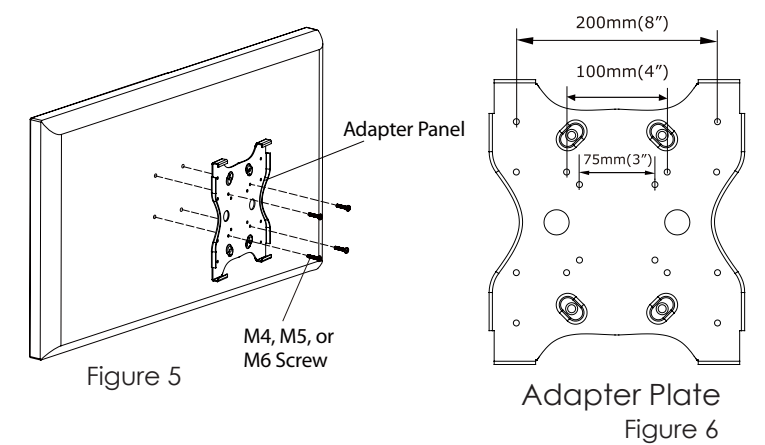
**WARNING:** Tighten bolts so that wall plate is firmly attached, but do not overtighten. Overtightening can damage the bolts, greatly reducing their holding strength.



## Step 3: Attaching the Adapter Plate to the Display

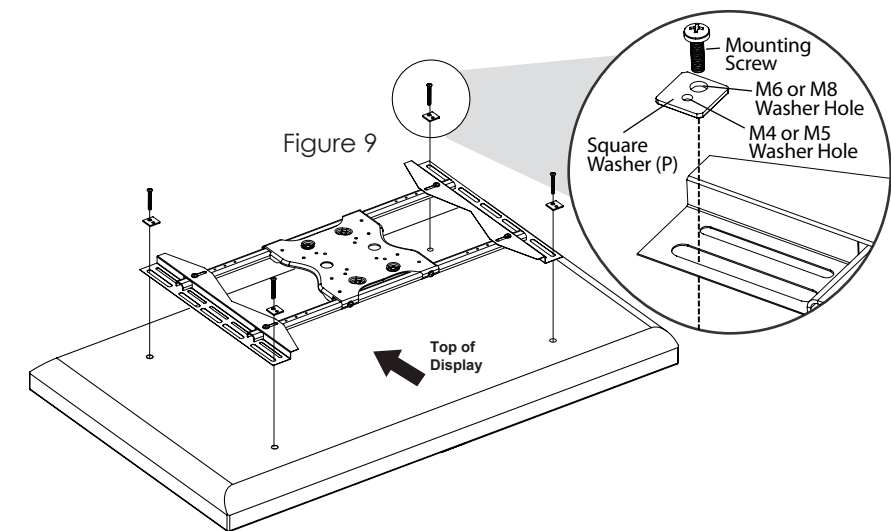
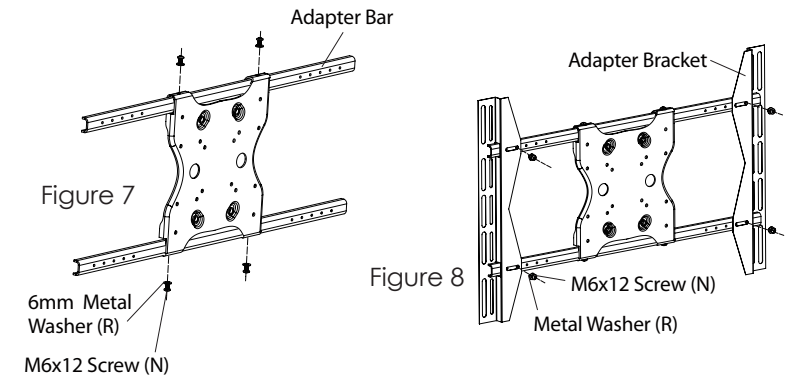
### For up to VESA 200x200- Small Displays

- Only the adapter plate is needed. Attach the adapter plate to the display using M4, M5, or M6 screws. For displays with a hole pattern in a pocket, spacers (U) go between adapter plate and display (See Figure 5).



### For up to VESA 400x600- Large Displays

- Align the holes in the adapter bars with the adapter plate and attach using four M6x12 (N) screws and four 6mm metal washers (R) (See Figure 7).
- Slide the Adapter Brackets onto assembled Adapter Bars. Place the assembled Adapter Plate on the back of the display with one Adapter Bracket aligned with mounting holes of display. Then, slide the other Adapter Bracket in or out until it aligns with the second set of mounting holes. The Adapter Plate should be horizontally centered on the back of the display (See Figure 8).
- Attach the Assembled Adapter Plate to screen using the suitable screws (See Figure 9). For displays with a hole pattern in a pocket, spacers (U) go between adapter plate and display.



## Step 4: Attaching the Adapter Plate with Display to Wall Arm Assembly

### For up to VESA 200x200- Small Displays

- Insert two M8x12mm (O) screws and two 8mm metal washers (S) into top two holes of Adapter Plate. Leave approximately 1/4" of exposed thread (Do NOT tighten fully).
- Lift the display and hook it over the mounting head by lowering the exposed portion of the top screws into the open key slots of Wall Arm Assembly mounting head.
- Once in position, attach the bottom two M8x12mm screws (O) and 8mm metal washers (S) to secure the Adapter Plate to the mounting head using the Allen Key (T) to tighten down all M8 screws (See Figure 10).

