

WPS-MNT-L-DVR-4CH DVR Mount

Introduction

Wirepath™ Surveillance 4CH DVR mounts have been designed to simplify the installation of a WPS-100-DVR-4CH in a variety of places allowing for complete flexibility during installation. The mount easily attaches to the DVR sides and provides space below for proper ventilation.

- Structured Wiring Cabinet
- Wall Mounting
- Back of Cabinets
- Under Cabinets

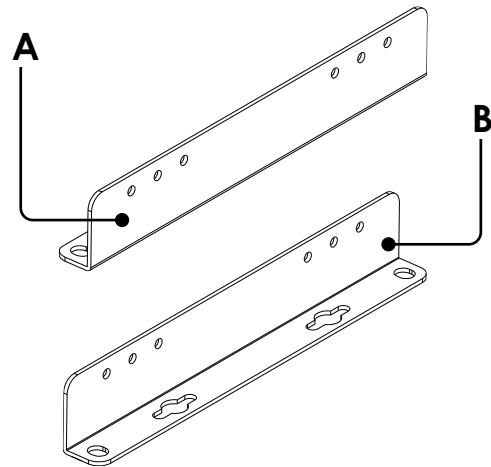
Parts Included

Exploded View

- A. (1) Left DVR Mount
- B. (1) Right DVR Mount

Not Shown

- C. (4) #6-3.9x16" L Round Head Philips Screws
- D. (4) M4x15 Wall Mollies
- E. (5) M3x16 L Round Head Philips Screws
- F. (5) Module Mounting Pins
- G. (1) Manual



Installation

1. Attach the DVR Mount to the DVR

- A. Remove the 2 screws located on either side of the DVR.
- B. Align the mounting holes on the DVR Mount (A) with the open holes left by the screws removed in step A.

Note: There are 3 sets of holes that can be used; the center holes should not be used when mounting in a Structured Wiring Cabinet as they will interfere with the installation of the DVR.
- C. Secure the DVR Mount (A) to the DVR using the supplied M3x16 L Round Head Philips Screws (E).
- D. Repeat steps A to C for the other side using DVR Mount (B).

Figure 1

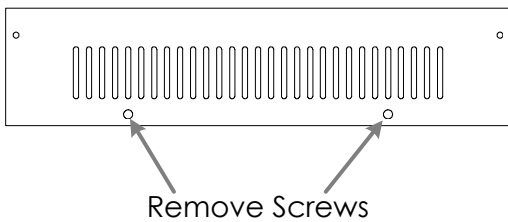
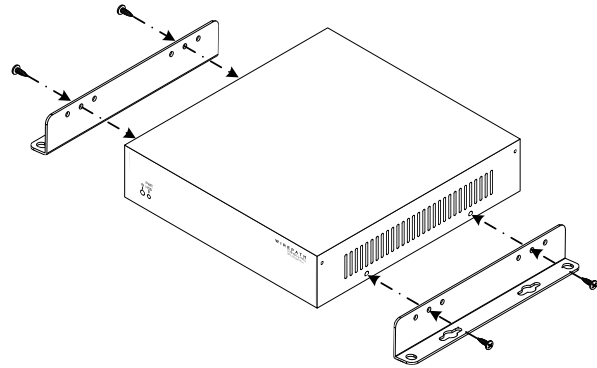


Figure 2



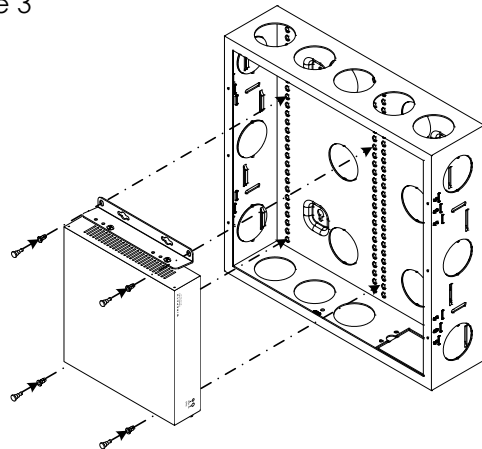
Note: The center mounting holes are not to be used if mounting in a Structured Wiring Cabinet. The outer holes must be used.

2. Mount the DVR

- A. Structured Wiring Cabinet Installation
 - A.1 - Connect the wires from the cameras and other components.
 - A.2 - Position the DVR into the structured wiring cabinet.

Note: When mounting in a Structured Wiring Cabinet the mounts must be parallel with the top and bottom of the cabinet.
 - A.3 - Mount the DVR using the supplied Module Mounting Pins (F) into the cabinet.

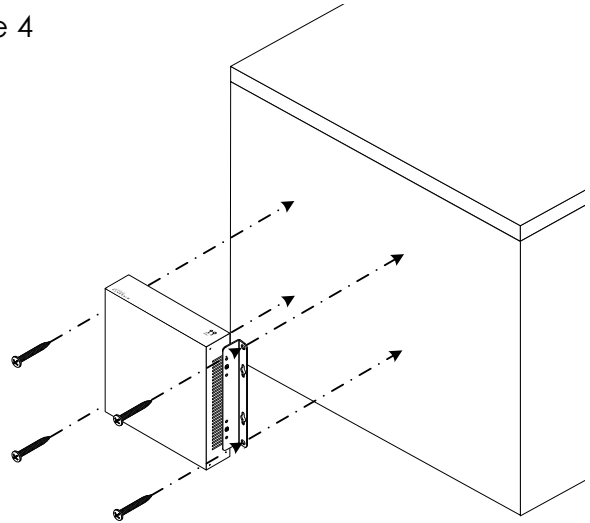
Figure 3



B. Under or Back of Cabinet Installation

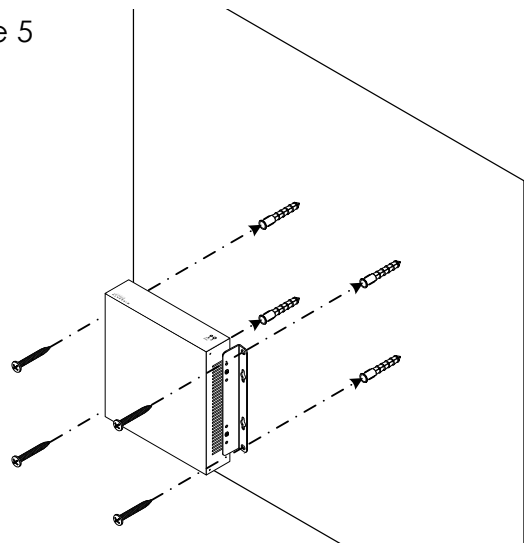
- B.1** - Position the DVR onto the back of the cabinet in the desired location to use as a template
- B.2** - Mark the mounting holes that will be used and remove the DVR
- B.3** - Drill a 1/8" pilot hole in all of the marked locations.
- B.4** - Mount the DVR using the supplied #6 3.9x16 L Round Head Philips Screws (C) onto the cabinet.
- B.5** - Connect the cameras and other connections to the DVR

Figure 4

**C. Wall Mount Installation**

- C.1** - Position the DVR onto the wall in the desired location to use as a template
- C.2** - Mark the mounting holes that will be used and remove the DVR
- C.3** - Drill a 3/8" pilot hole in all of the marked locations.
- C.4** - Insert the M4x15 Wall Mollies (D) into the drilled holes.
- C.5** - Mount the DVR using the supplied #6 3.9x16 L Round Head Philips Screws (C) onto the cabinet.
- C.6** - Connect the cameras and other connections to the DVR

Figure 5

**3. Finalize the Installation**

- A.** Connect the cameras and other connections to the DVR
- B.** Setup the DVR following the instructions in the manual for the WPS-100-DVR-4CH.

Contacting Technical Support

Phone: (866) 838-5052

Email: Techsupport@snapav.com