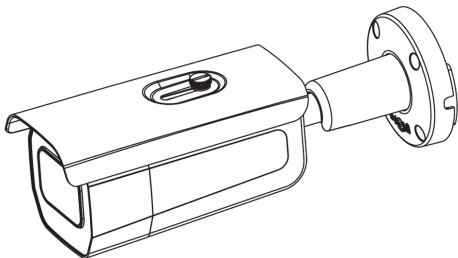


clare™

ClareVision Video  
Surveillance

## Varifocal Series Bullet Camera Installation Guide



For Setting up cameras and complete user manuals, please scan these QR codes:

### Quick Start Guide



<https://bit.ly/3ndBOKO>

### User Manual



<https://bit.ly/3gEEj7s>

## Box Contents

- Camera
- Mounting template
- Mounting kit
- Accessory kit

## Required Equipment

- Phillips head screwdriver
- Power source: Ethernet cable
- Drill with ¼" drill bit

## Inspection

Ensure that the device is in good condition and all the assembly parts are included.

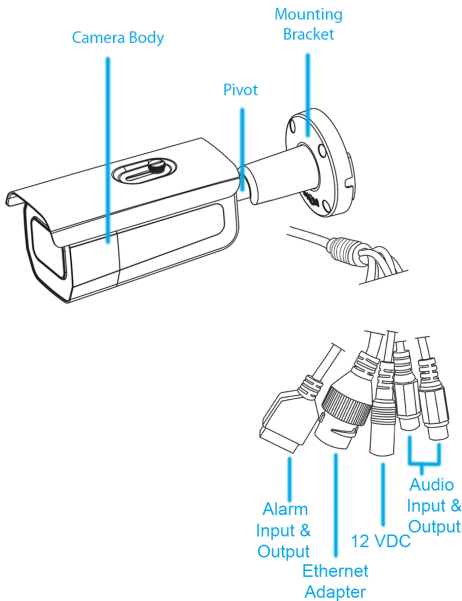
- Make sure that all equipment is powered off during installation.
- Ensure the mounting surface is strong enough to withstand three times the weight of the camera and the mount.
- If the product does not function properly, please contact technical support. **Do not disassemble the camera for repair or maintenance.**



WARNING: This product can expose you to chemicals including cadmium, which which is known to the State of California to cause cancer. For more information, go to [www.p65warnings.ca.gov](http://www.p65warnings.ca.gov).

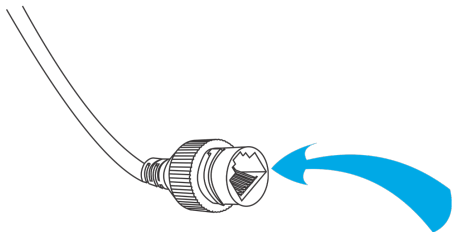
## Overview

Before installing, familiarize yourself with the different parts of the camera.



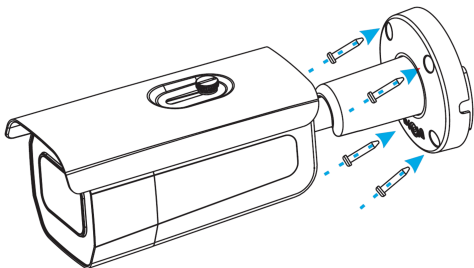
## Installation

1. Drill a cable hole and ¼" pilot holes using the supplied template.
2. Connect an ethernet cable that is connected to the desired POE enabled network into the camera's ethernet adapter.



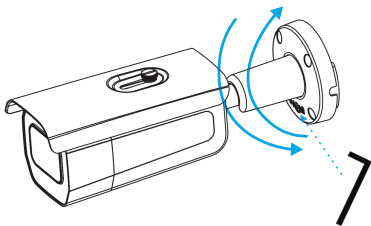
## Installation

3. Insert the drywall anchors. Secure the base to the mounting surface using provided screws.

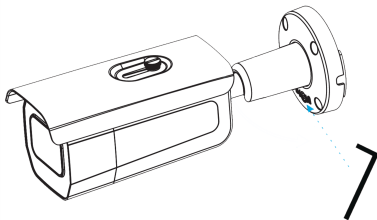


## Installation

4. Using the provided hex-key, loosen the machine screws and adjust the viewing angle.



5. Using the provided hex-key, tighten the machine screw on the side until the camera body is secured firmly to the base.



## Camera Setup & Default Password

**IMPORTANT NOTE:** The default camera setup password is the **FIRST 6 Characters of the UUID/SN.**

You will be prompted to change the password when setting up the camera. Please refer to the Quick Start Guide for complete setup instructions or by visiting:  
<https://bit.ly/34bIIND>

## Support

### **For additional help:**

Integrator/Dealer Support:

**Phone:** 941.404.1072

**Email:** [claresupport@clarecontrols.com](mailto:claresupport@clarecontrols.com)

For more information, instructional videos, or support documentation, visit our Help Center and view your item's product page:

<https://www.clarecontrols.com/helpcenter>



## Contact Information

### **Clare Controls, LLC.**

7519 Pennsylvania Ave, Suite 104

Sarasota, FL 34243

**General:** 941.328.3991

**Fax:** 941.870.9646

[www.clarecontrols.com](http://www.clarecontrols.com)

## Warranty Information

Clare Controls offers a two (2) year limited warranty on original Clare Controls components, from the date of shipment from Clare Controls. To view complete limited warranty details, including limitations and exclusions, please visit:

[www.clarecontrols.com/warranty](http://www.clarecontrols.com/warranty)

## Camera Information

Please provide this guide to the customer and notate the camera installation location and new camera password. This guide includes important camera details.

Camera Password: \_\_\_\_\_

Installattion Location: \_\_\_\_\_

Camera Details:

