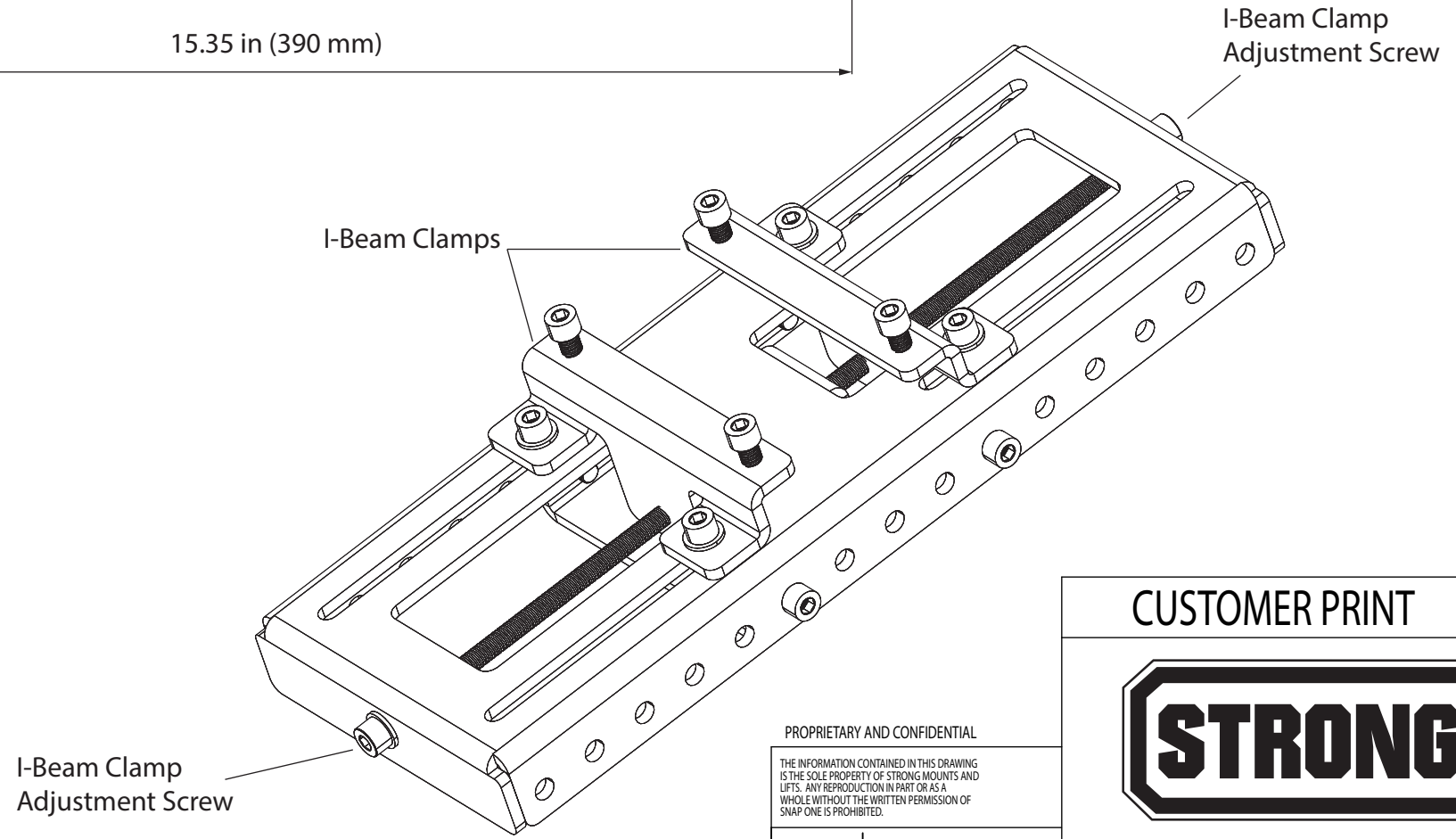
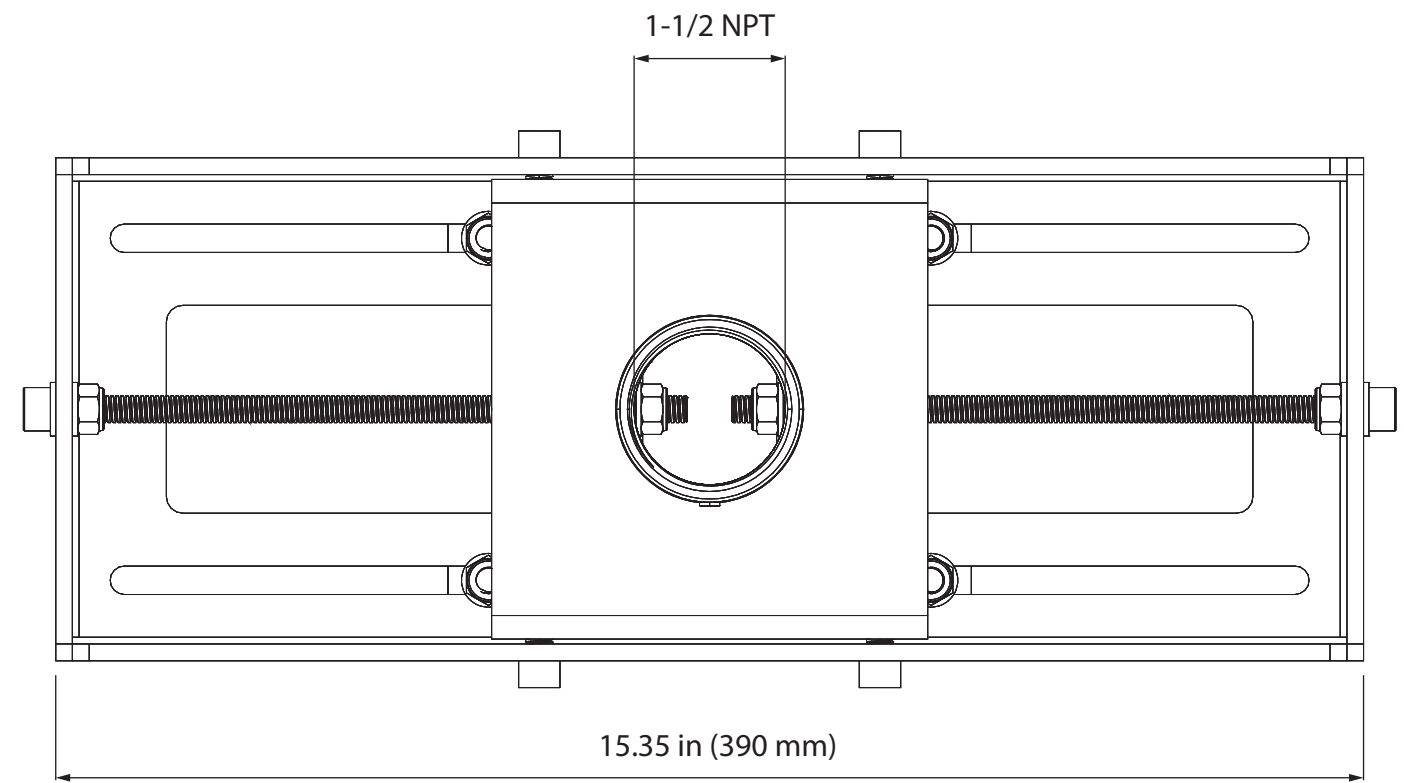
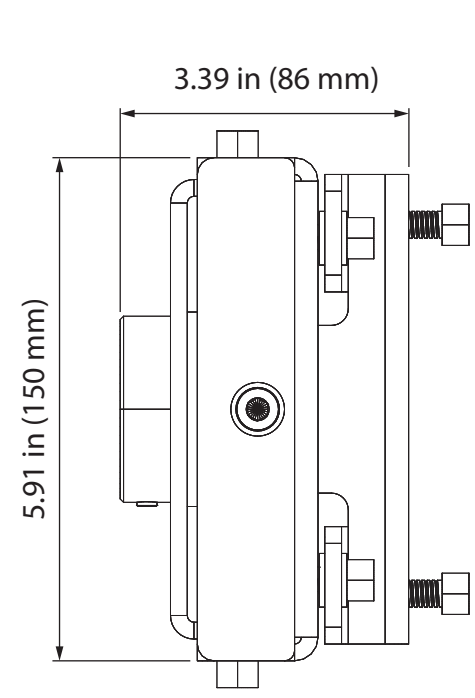
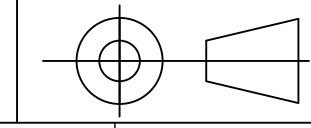


Adjustable I-Beam Ceiling Mount



PROPRIETARY AND CONFIDENTIAL
 THE INFORMATION CONTAINED IN THIS DRAWING IS THE SOLE PROPERTY OF STRONG MOUNTS AND LIFTS. ANY REPRODUCTION IN PART OR AS A WHOLE WITHOUT THE WRITTEN PERMISSION OF SNAP ONE IS PROHIBITED.



CUSTOMER PRINT		
STRONG		
SIZE B	DRAWING NUMBER SM-CB-CM-IBeam-BLK	DWG REV A
DO NOT SCALE DRAWING		SHEET 1 of 1