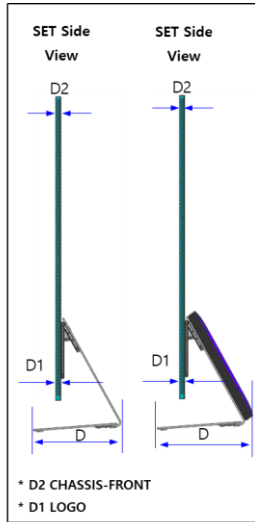


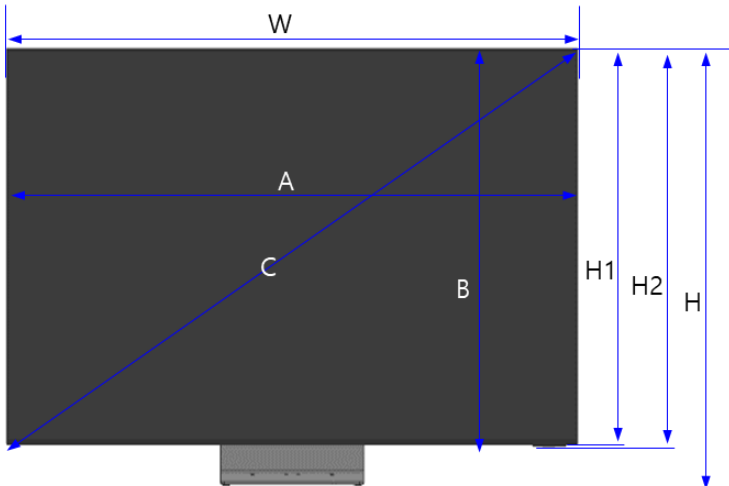
# QN990C

*\*Dimensions in millimeters (+ / - 0.1 mm)*



## 98" QN990C Set Dimensions

	QN990C 98"
SET(With stand) (W * H * D)	2179.0 * 1316.4 * 369.6
SET(With stand & With OC) (W * H * D)	2179.0 * 1316.4 * 388.2
SET(Without stand) (W * H1(H2) * D2(D1))	2179.0 * 1240.3(1245.5) * 19.9(21.9)
* Front Opening Area (A * B * C)	2177.0 * 1238.5 * 2504.6
Wall Mount (a * b)	600 * 400
Packing Out (W * H * D)	2390 * 1431 * 288
Net Weight (With stand) Kg	86.5
Net Weight (Without stand) Kg	68.0
Gross Weight (w/ packaging) Kg	112.0

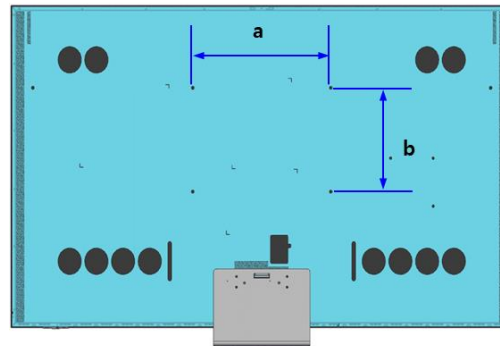


\*Including Rubber (2.0T)

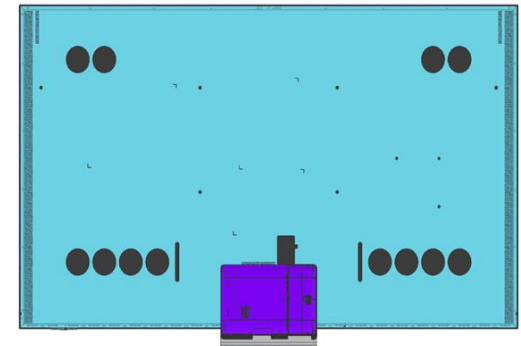
SET Front View

\* H1: CHASSIS-FRONT, H2: LOGO

- ※ Height Type
- 1) H : Includes Rubber-Foot
- 2) H1 : Representative Dimension. Outermost dimension of Chassis-Front.
- 3) H2 : Includes Logo



SET Rear View without OC



SET Rear View with OC

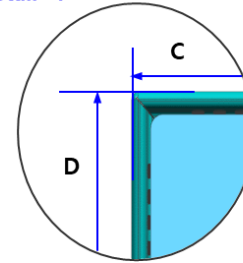
*\*Dimensions in millimeters (+ / - 0.1 mm)*

## 98" QN990C Cover and Rear Dimensions

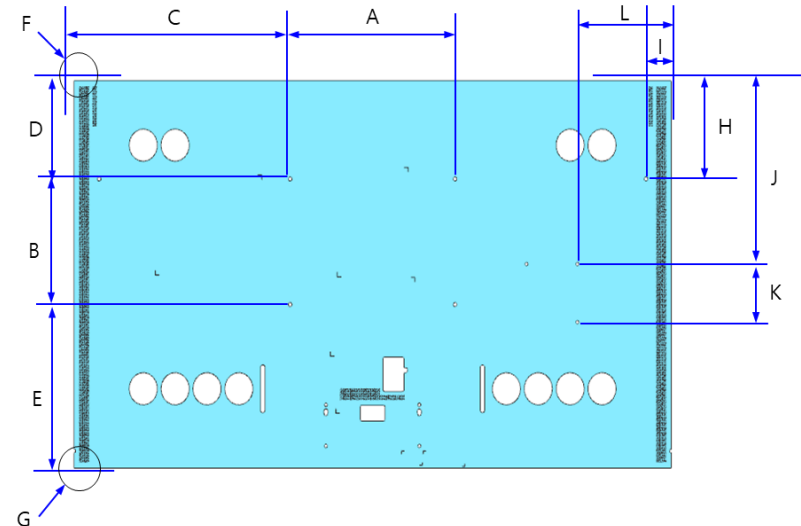
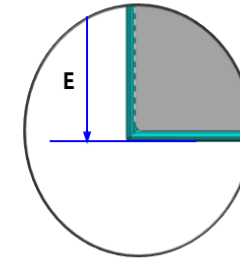
		QN990C
		98"
<b>VESA WALL MOUNT (AXB)</b>		600 X 400
<b>C</b>		786.8
<b>D</b>		313.9
<b>E</b>		521.0
<b>Screw Depth</b>		5-6
<b>SLIM WALL MOUNT</b>	<b>H</b>	313.9
	<b>I</b>	91.8
<b>WALL MOUNT OC</b>	<b>J</b>	585.0
	<b>K</b>	185.0
	<b>L</b>	341.8
	<b>M</b>	

※ C,D  
1) Outermost dimension of SET (Chassis-Front & C/Rear)

Detail "F"



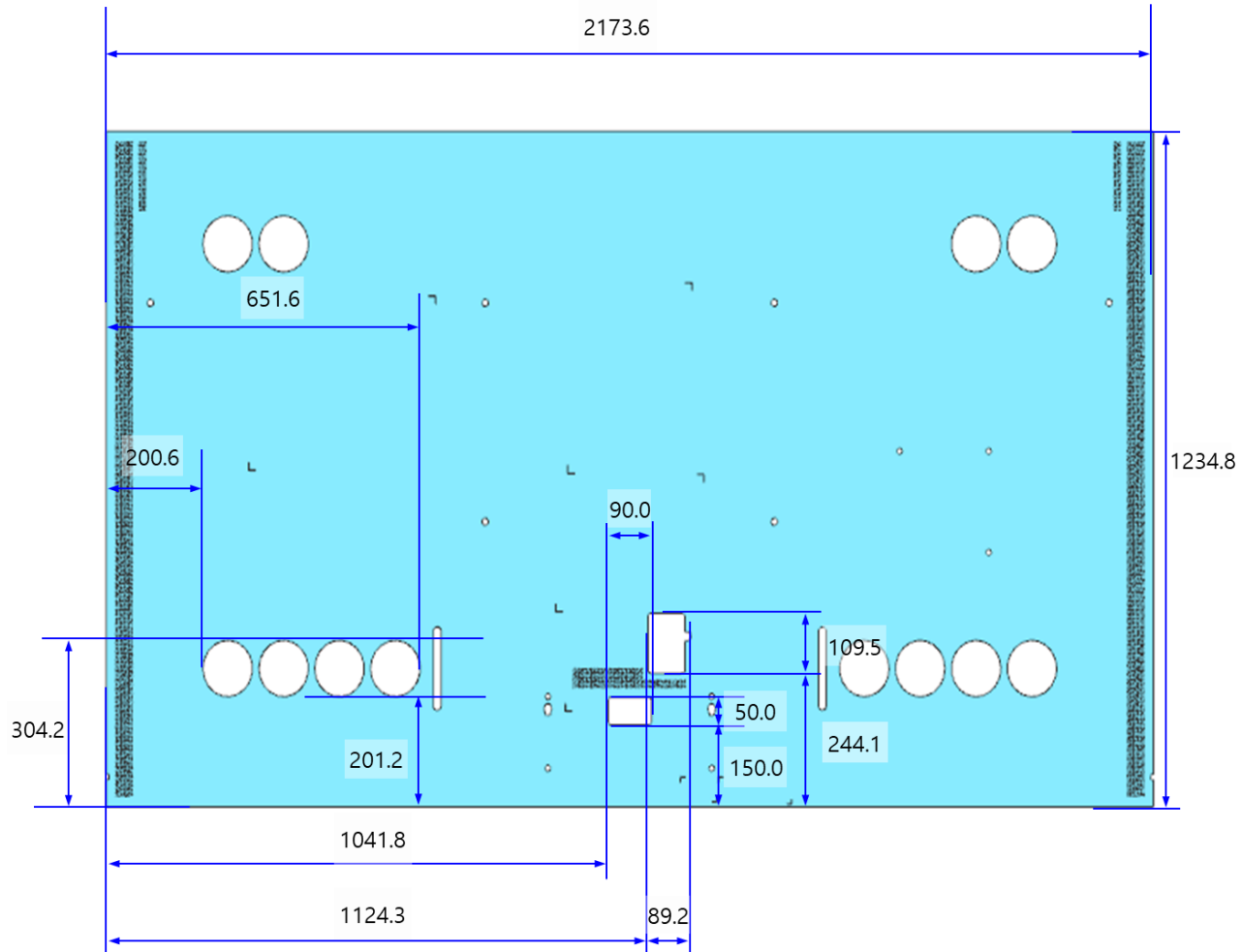
Detail "G"



# QN990C

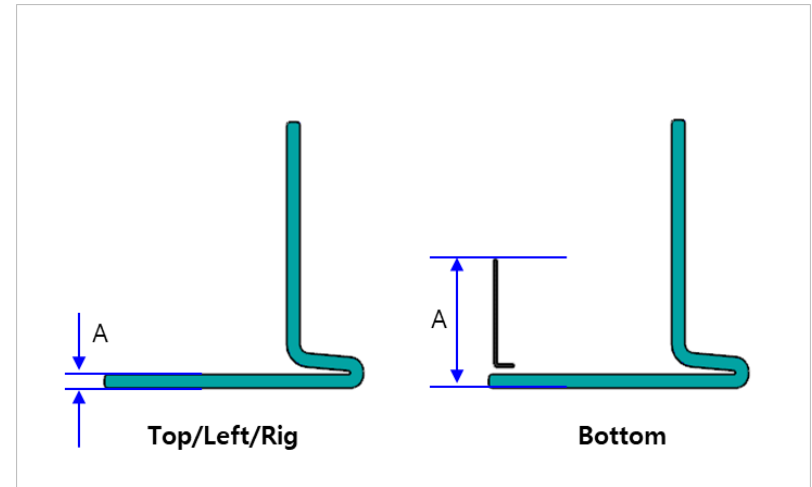
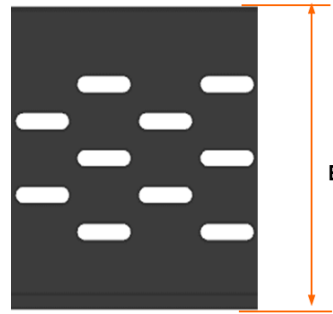
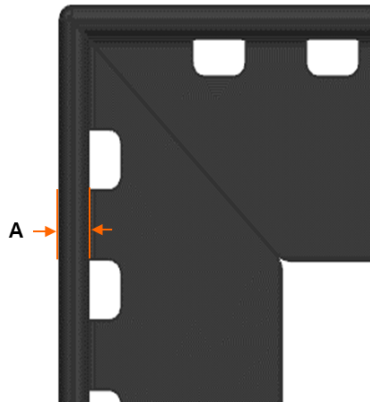
*\*Dimensions in millimeters (+ / - 0.1 mm)*

**QN990C 98" Cover and Rear-View Dimensions**



# QN990C

*\*Dimensions in millimeters (+ / - 0.1 mm)*



## QN990C Bezel Size

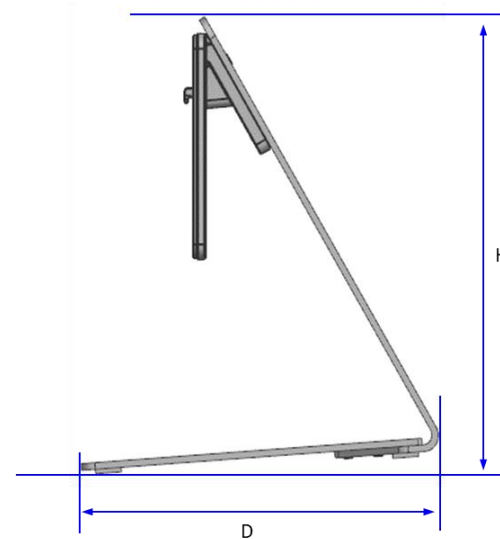
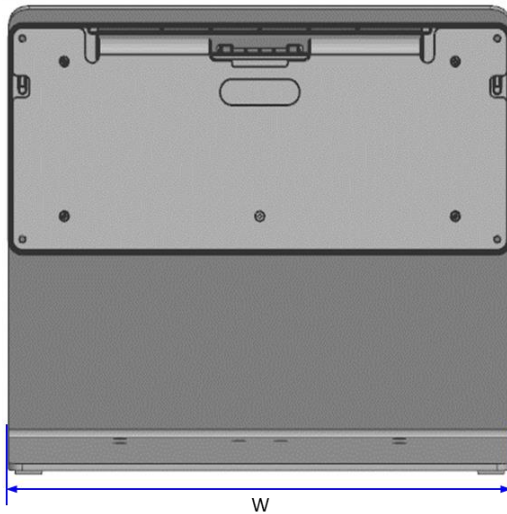
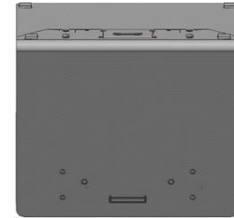
	QN990C	
	98"	
	Top/Left/Right	Bottom
A	1.0	10.2
B	20.7	

# QN990C

*\*Dimensions in millimeters (+ / - 0.1 mm)*

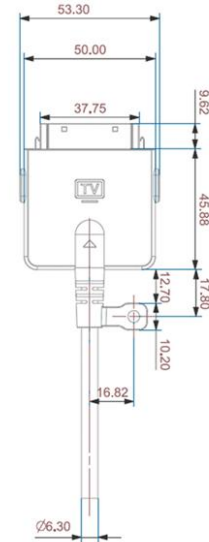
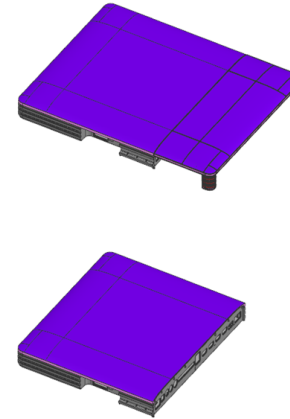
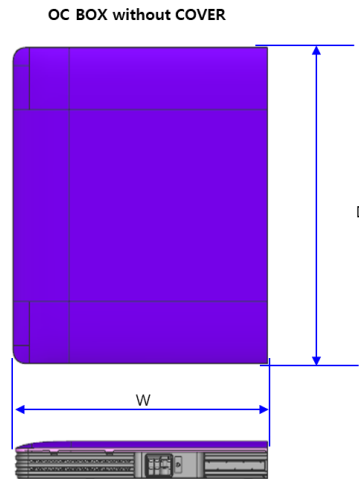
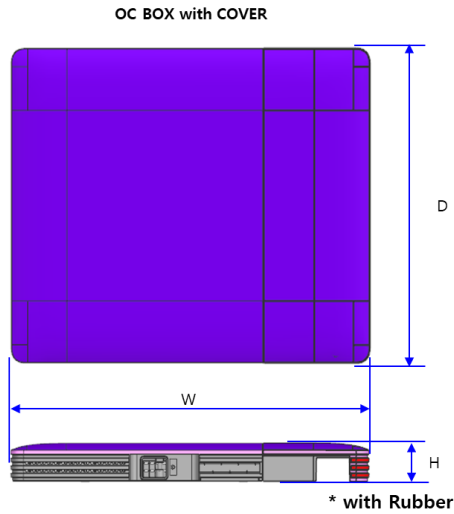
## QN990C Stand Dimensions

	QN990C
	98"
<b>STAND (W*H*D)</b>	420.0* 369.6 * 293.2



\*Rubber 포함

*\*Dimensions in millimeters (+ / - 0.1 mm)*



## QN990 One Connect Box Size

### Included OneConnect Cables

0.3M (Short)

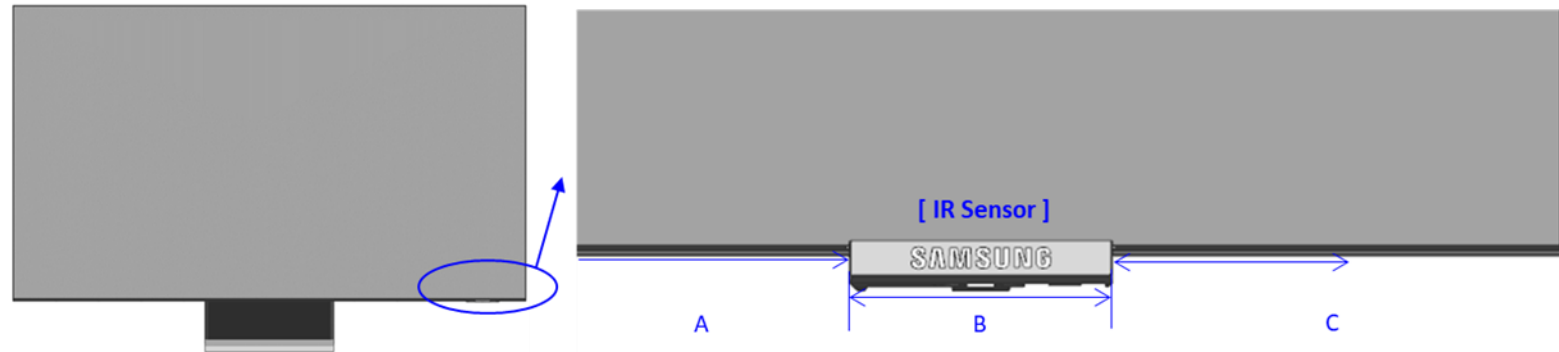
2.5M (Long)

	QN990C
OC BOX (with COVER-OC CABLE) (W*H*D)	419.9 * 39.7 * 330.0
OC BOX (without COVER-OC CABLE) (W*H*D)	295.1 * 39.7 * 330.0

# QN990C

*\*Dimensions in millimeters (+ / - 0.1 mm)*

## 2023 New Model IR Sensor Information



Product	Series	Inch	Item	Sensor Position	DIMENSION		
					A	B	C
Neo QLED 8K	QN990C	98	QN98QN990CFXZA	Right	1971.8	25.2	182.0