

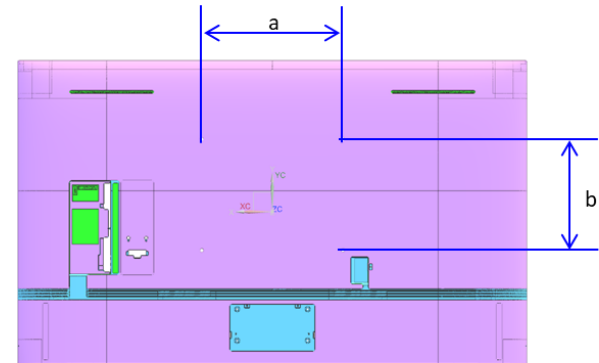
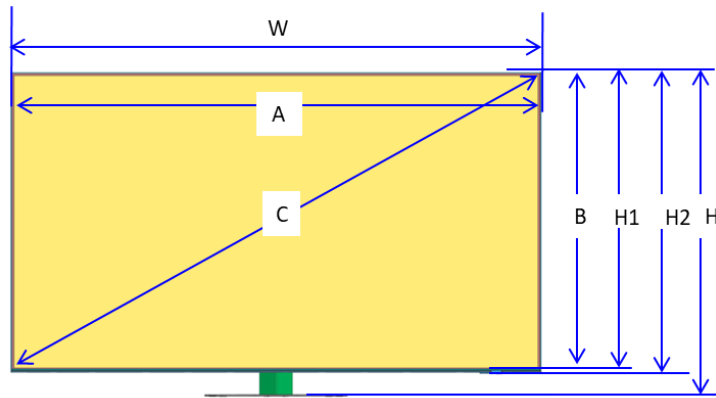
QN90D

***Dimensions in millimeters (+ / - 0.1 mm)**

QN90D Set Dimension

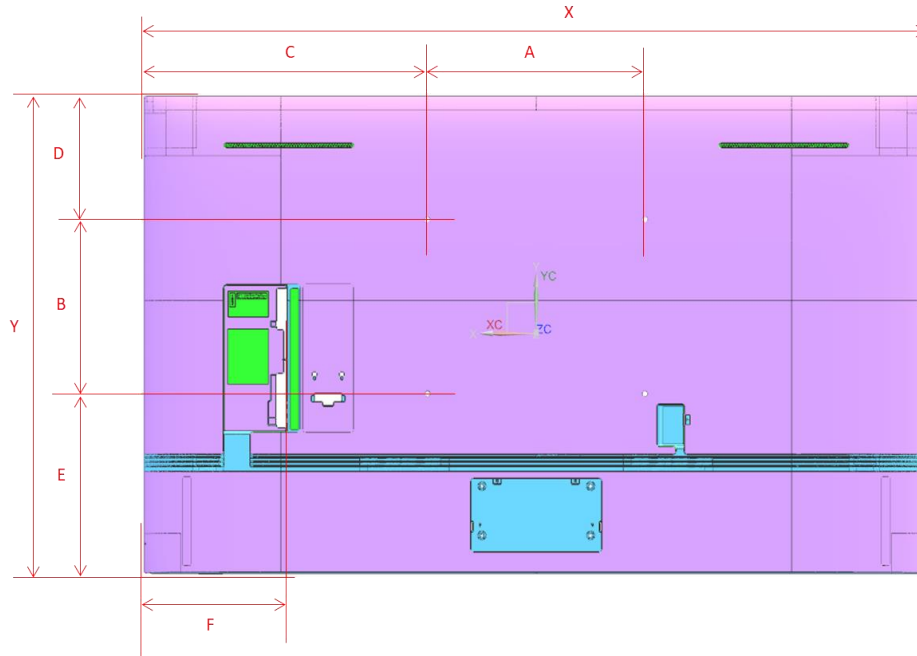
※ Height Type
 1) H : Includes Rubber-Foot (2.0T)
 2) H1 : Representative Dimension. Outermost dimension of Chassis-Front.
 3) H2 : Includes Logo

	43"	50"	55"	65"	75"	85"	98"
SET(With stand) (W * H * D)	960.8 * 619.9 * 220.0	1113.6 * 705.4 * 220.0	1227.4 * 768.2 * 237.0	1446.3 * 891.3 * 270.6	1670.0 * 1017.2 * 301.2	1892.2 * 1143.0 * 321.3	2185.1 * 1305.9 * 364.9
SET(Without stand) (W * H2 * D1)	960.8 * 558.9 * 26.9	1113.6 * 644.1 * 26.9	1227.4 * 705.6 * 26.9	1446.3 * 828.7 * 26.9	1670.0 * 957.4 * 27.7	1892.2 * 1081.9 * 27.9	2185.1 * 1249.3 * 31.1
Front Opening Area (A * B * C)	954.4 * 537.4 * 1095.3	1107.6 * 623.6 * 1271.1	1221.4 * 690.0 * 1402.8	1440.3 * 813.1 * 1654.0	1664.0 * 940.1 * 1911.2	1886.2 * 1065.1 * 2166.1	2174.1 * 1223.4 * 2494.7
Wall Mount (Vesa) (a * b)	200 * 200	200 * 200	200 * 200	400 * 300	400 * 400	600 * 400	600 * 400
Packing Out (W * H * D)	1164 * 667 * 140	1317 * 767 * 140	1448 * 826 * 170	1622 * 935 * 185	1884 * 1118 * 191	2141 * 1245 * 230	2370*1420*275
Net Weight (With stand) Kg	13.4	17.6	20.6	27.5	39.7	49.9	70.6
Net Weight (Without stand) Kg	9.4	13.5	17.68	24.2	34.1	43.5	61.4
Gross Weight (Package) Kg	17.5	22.5	26.2	35.4	50.2	63.3	92.7



QN90D

***Dimensions in millimeters (+ / - 0.1 mm)**



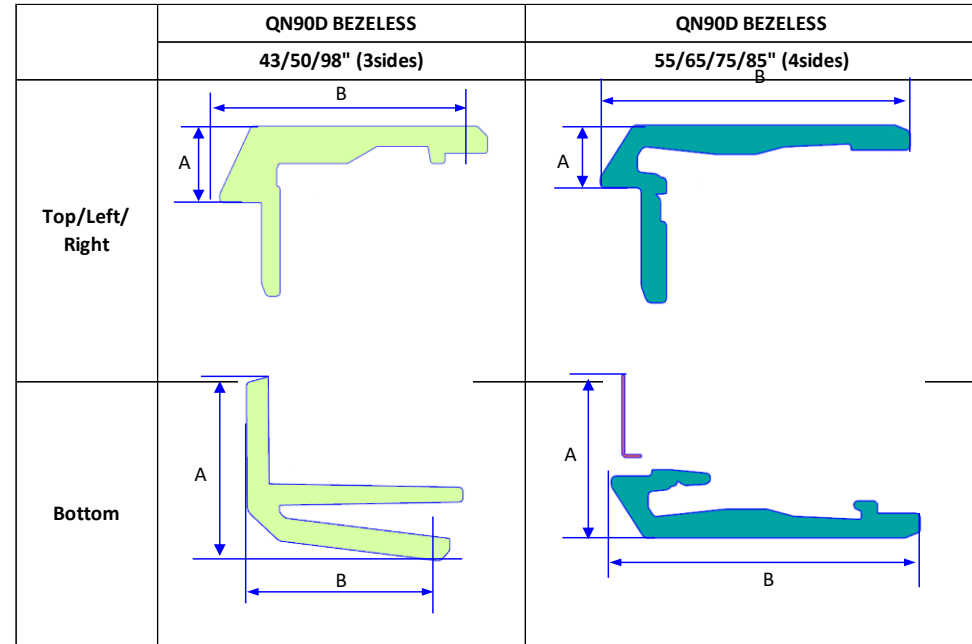
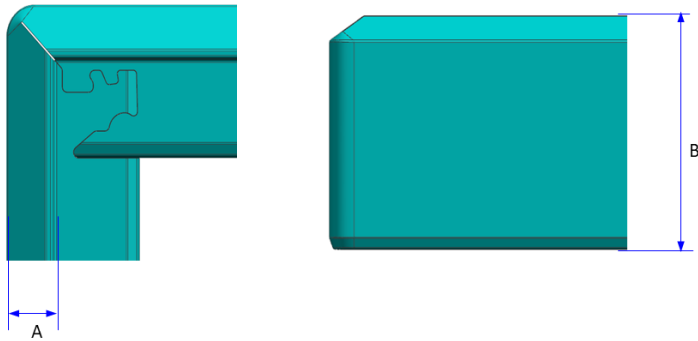
QN90D Cover and Rear-View Dimensions

* E, Y : Measured including LOGO
F : Measured including USB Connector

	43"	50"	55"	65"	75"	85"	98"
WALL MOUNT(A*B)	200 x 200	200 x 200	200 x 200	400 x 300	400 x 400	600 x 400	600 x 400
C	380.4	456.8	513.7	523.4	635.0	646.1	791.1
D	190.0	208.4	239.3	214.5	244.4	220.0	343.9
E	169.5	235.7	266.3	314.4	313.0	461.9	504.0
F	208.5	230.4	215.3	264.7	376.6	376.2	544.7
X	960.8	1113.6	1227.4	1446.3	1670.0	1892.2	2182.3
Y	559.5	644.1	705.6	826.9	957.4	1081.9	1244.2
Screw Depth	11-13	11-13	11-13	11-13	11-13	11-13	11-13

QN90D

**Dimensions in millimeters (+ / - 0.1 mm)*



QN90D Bezel Dimensions

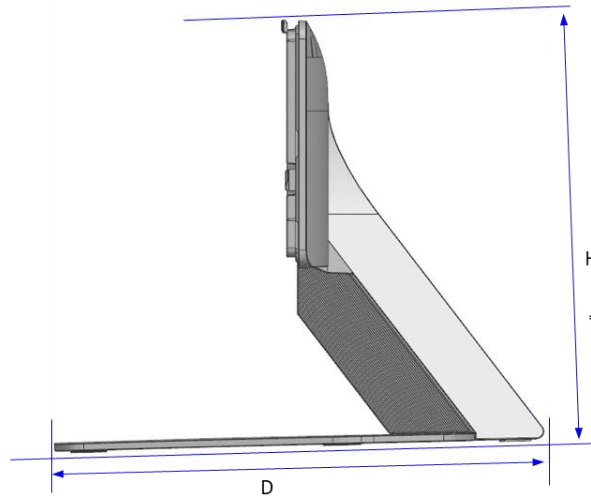
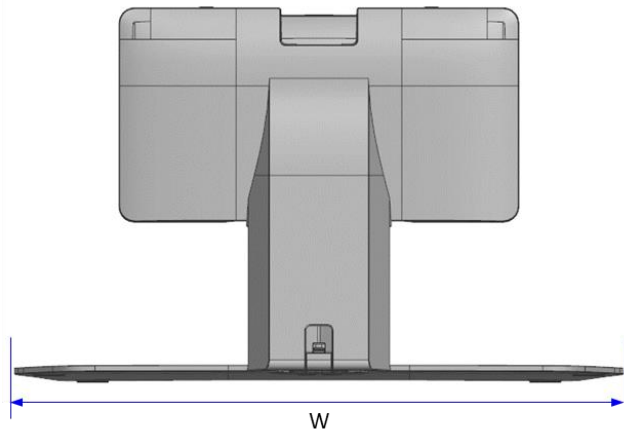
	QN90D													
	43"		50"		55"		65"		75"		85"		98"	
	T/L/R	Bottom	T/L/R	Bottom	T/L/R	Bottom	T/L/R	Bottom	T/L/R	Bottom	T/L/R	Bottom	T/L/R	Bottom
A	3.2	16.5	3.0	15.7	3.0	8.2	3.0	8.2	3.0	10.0	3.0	9.7	5.5	17.6
B	13.43	15.4	13.43	14.9	12.43	12.43	12.43	12.43	12.93	12.93	12.93	12.93	16.10	18.15

QN90D

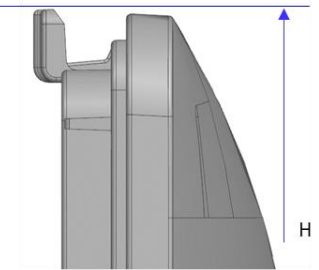
**Dimensions in millimeters (+ / - 0.1 mm)*

QN90D Sharp Neck Hexagon

	QN90D			
	43"/50"/55"	65"	75"	85"
W*H*D	43"/50": 519 * 217.9 * 219.9 55": 388.3 * 216.9 * 237	390 * 236.1 * 270.6	416.9 * 264.7 * 301.2	417.6 * 266 * 321.3

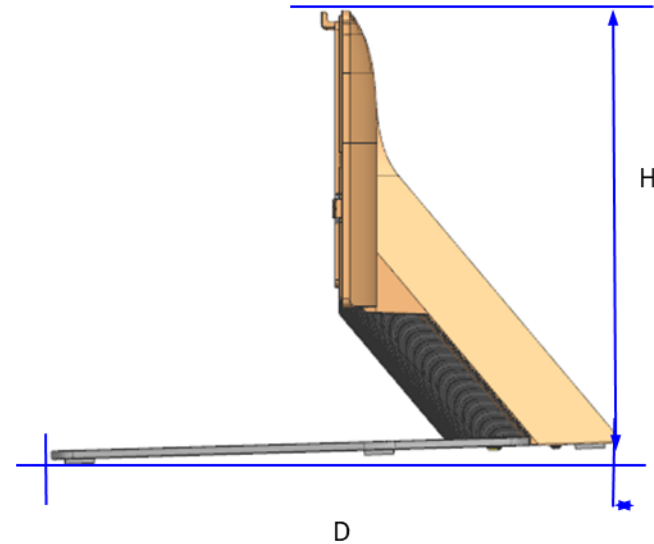
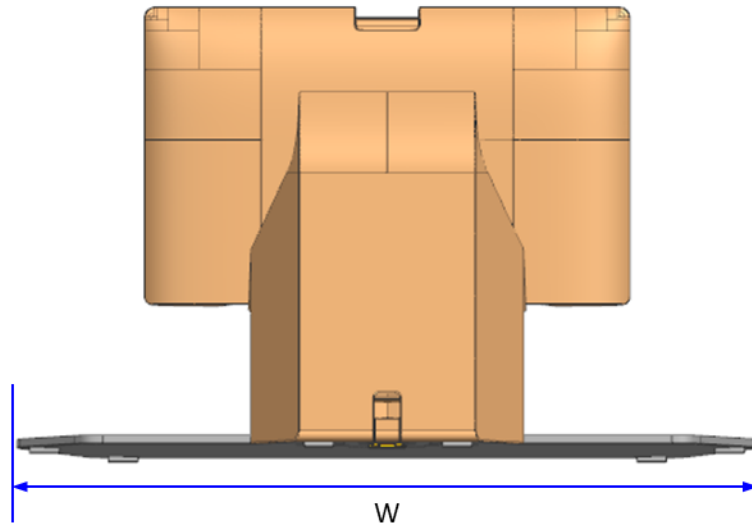
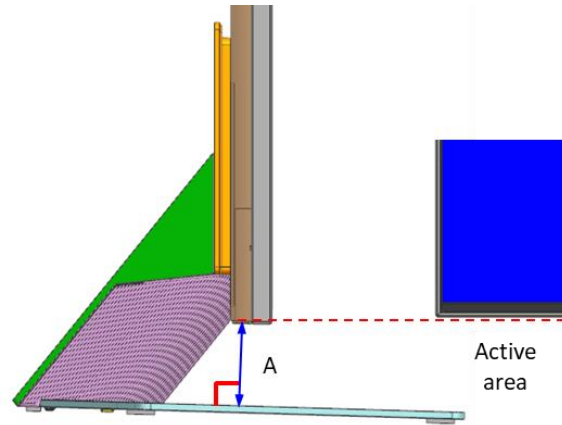


H
*Includes Rubber



98" QN90D Stand Dimensions

	98"
CENTER STAND (W*H*D)	478.9 * 284.5 * 364.9
SOUND BAR space (A)	70

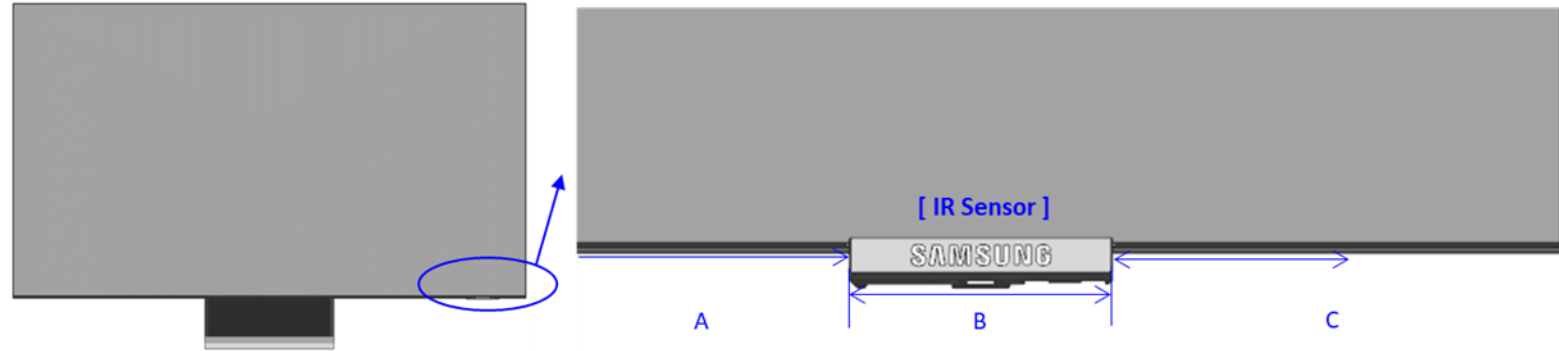


*Rubber

QN90D

**Dimensions in millimeters (+ / - 0.1 mm)*

2024 New Model IR Sensor Information



Product	Series	Inch	Item	Sensor Position	DIMENSION		
					A	B	C
	QN90D	98	QN98QN90DAFXZA	Right	2002.7	27.6	154.7
		85	QN85QN90DAFXZA	Right	1684.3	27.6	180.3
		75	QN75QN90DAFXZA	Right	1488.7	27.6	153.7
		65	QN65QN90DAFXZA	Right	1310.0	27.6	108.7
		55	QN55QN90DAFXZA	Right	1115.7	27.6	84.0
		50	QN50QN90DAFXZA	Right	1009.1	27.6	76.9
		43	QN43QN90DAFXZA	Right	865.7	27.6	67.5