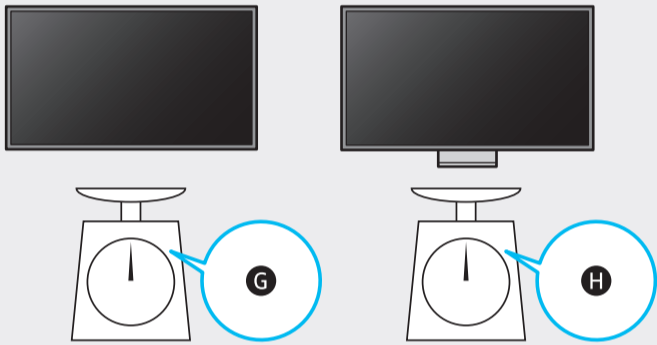
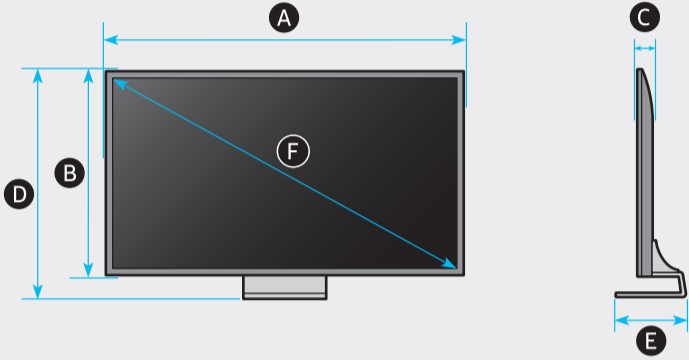
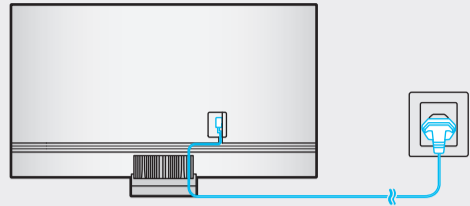
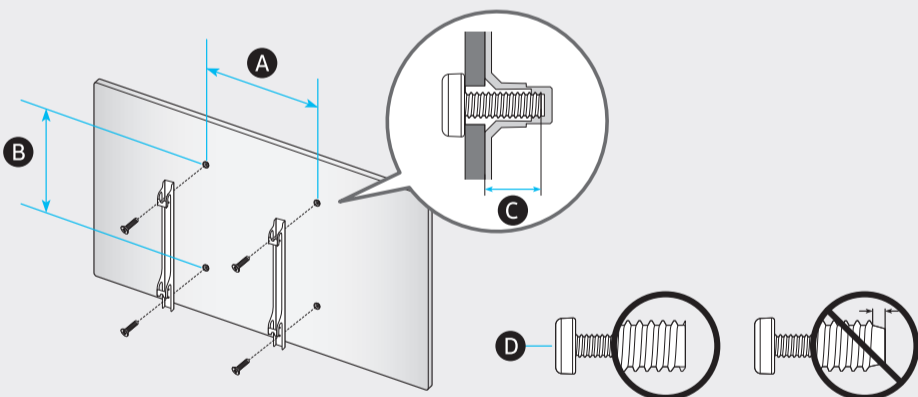


9



	A	B	C	D	E	F	G	H
QN75QN9*A	65.7 inches (1670.0 mm) (167.00 cm)	37.7 inches (958.2 mm) (95.82 cm)	1.1 inches (26.7 mm) (2.67 cm)	40.2 inches (1020.0 mm) (102.00 cm)	12.5 inches (317.5 mm) (31.75 cm)	74.5 inches (189 cm)	77.2 lbs (35.0 kg)	98.8 lbs (44.8 kg)
QN85QN9*A	74.5 inches (1892.2 mm) (189.22 cm)	42.6 inches (1082.5 mm) (108.25 cm)	1.1 inches (27.2 mm) (2.72 cm)	45.1 inches (1144.3 mm) (114.43 cm)	14.4 inches (365.1 mm) (36.51 cm)	84.5 inches (214 cm)	98.1 lbs (44.5 kg)	125.0 lbs (56.7 kg)

*: 0-9, A-Z



	VESA A x B (mm)	C (mm)	D x 4
QN75QN9*A	400 x 400	11-13	M8
QN85QN9*A	600 x 400		

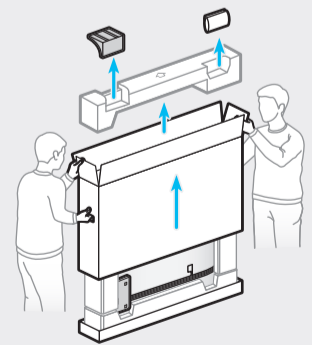
*: 0-9, A-Z

SAMSUNG

QUICK SETUP GUIDE
GUIDE D'INSTALLATION RAPIDE
GUÍA RÁPIDA DE CONFIGURACIÓN
GUIA RÁPIDO DE INSTALAÇÃO



75"



85"

