

Audio Return Extender for HDMI ARC
and SPDIF IN
B-260-ARC

BINARY

INSTALLATION MANUAL



IMPORTANT SAFETY INSTRUCTIONS

To reduce the risk of fire or electric shock, read and follow all instructions and warnings in this manual. Keep this manual for future reference.

1. Do not expose this apparatus to rain or moisture. Do not expose this equipment to dripping or splashing, and ensure that no objects filled with liquids, such as vases, are placed on the equipment. Do not use this apparatus near water.
2. Do not remove cover. No user serviceable parts inside.
3. Clean only with a dry cloth.
4. Do not block any ventilation openings. Install according to manufacturer's instructions.
5. Do not install near any heat sources such as radiators, heat registers, stoves or other apparatus (including amplifiers) that produce heat.
6. Do not override the safety purpose of the polarized or grounding plug. A polarized plug has two blades, one of which is wider than the other. A grounding plug has two matching blades and a third grounding prong. The wide blade or the third prong is provided for your safety. If the provided plug does not fit into your outlet, consult an electrician for replacement of the obsolete outlet.
7. Protect the power cord from being walked on or pinched, particularly at the plug end and where the power cord is attached to the apparatus.
8. Only use attachments and accessories specified by the manufacturer.
9. Refer all servicing to qualified service personnel. Servicing is required when the apparatus has been damaged in any way, such as when the power supply cord or plug is damaged, liquid has been spilled on or objects have fallen into the apparatus, the apparatus has been exposed to rain or moisture, the apparatus does not operate normally, or it has been dropped.
10. To completely disconnect this equipment from power, disconnect the power supply cord from the power outlet.



The lightning flash with arrowhead symbol, within an equilateral triangle, is intended to alert the user to the presence of uninsulated dangerous voltage within the product's enclosure that may be of sufficient magnitude to constitute a risk of electric shock to persons.



The exclamation point within an equilateral triangle is intended to alert the user to the presence of important operating and maintenance (servicing) instructions in the literature accompanying the appliance.



FCC WARNINGS

This equipment has been tested and found to comply with the limits for a Class B digital device, pursuant to Part 15 of the FCC Rules. These limits are designed to provide reasonable protection against harmful interference in a residential installation. This equipment generates uses and can radiate radio frequency energy and, if not installed and used in accordance with the instructions, may cause harmful interference to radio communications. However, there is no guarantee that interference will not occur in a particular installation. If this equipment does cause harmful interference to radio or television reception, which can be determined by turning the equipment off and on, the user is encouraged to try to correct the interference by one or more of the following measures:

- Reorient or relocate the receiving antenna.
- Increase the separation between the equipment and receiver.
- Connect the equipment into an outlet on a circuit different from that to which the receiver is connected.
- Consult the dealer or an experienced radio/TV technician for help.


Changes or modifications not expressly approved by the party responsible for compliance could void the user's authority to operate the equipment.

REGULATORY REQUIREMENT



When using the power adapter, please refer to the following notes.

The specifications of the provided power adapter:

- Rated Input: INPUT: 100-240V~, 50-60Hz, 0.3A; OUTPUT: 5.0V DC, 1.0A, 5.0W
- Model: 6A-054WP5B
- Trademark: 
- Manufacturer: ENG ELECTRIC CO., LTD.

TRADEMARKS

Dolby Digital™, Dolby TrueHD™, and Dolby Atmos™ are registered trademarks of Dolby Laboratories DTS 5.1™, DTS-HD Master Audio™ and DTS:X™ are registered trademarks of DTS, Inc. All other trademarks and registered trademarks are owned by their respective holders.

CONTENTS

1. Product Overview	5
2. Features.....	5
3. Package Content.....	5
4. Device Layout.....	6
4.1. B-260-ARC Transmitter.....	6
4.2. B-260-ARC Receiver.....	7
5. Installation & Wiring	7
5.1. Installation	7
5.2. Wiring	8
6. Specifications	11
6.1. Transmission Distance	11
7. Warranty	11
8. Support	11

1. PRODUCT OVERVIEW

The product is an extender for both HDMI ARC and SPDIF audio pass-through. It supports CEC pass-through between HDMI ARC input port and ARC output port to handshake for ARC transmission.

For TVs that don't support HDMI ARC capabilities, the extender provides an independent SPDIF audio pass-through channel. SPDIF audio can be transmitted from the SPDIF IN port of the transmitter to the SPDIF OUT port of the receiver.

2. FEATURES

- Supports CEC pass-through between HDMI ARC Input port and ARC Output port to handshake for ARC transmission.
- Supports signal transmission distance up to 150m/492ft via a single Cat 5e or above cable.
- Supported returned audio formats include: Dolby 5.1CH, DTS 5.1CH and LPCM 2CH.

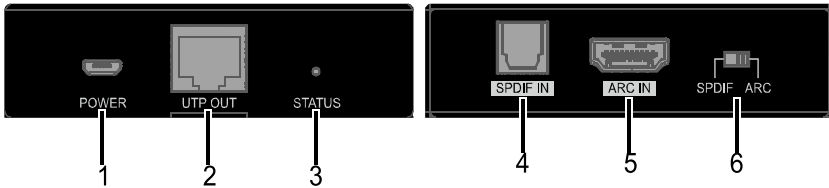
Note: To set the extender to ARC or SPDIF mode, users need to set the DIP switches of the transmitter and receiver to the same position. For example, when the extender is set to ARC mode, the DIP switches of transmitter and receiver both need to be switched to the "ARC" position.

3. PACKAGE CONTENT

- 1 x B-260-ARC Transmitter
- 1 x B-260-ARC Receiver
- 2 x DC 5V Power Adapter
- 4 x Mounting Ears (with Screws)
- 4 x Mounting Screws
- 8 x Rubber Feet
- 1 x User Manual

4. DEVICE LAYOUT

4.1. B-260-ARC Transmitter



1. POWER

Connect to the power adapter provided.

2. UTP OUT

Connect to UTP IN port of the receiver.

3. STATUS LED

On: The transmitter is working properly but the connection between transmitter and receiver is not successful.

Blinking: The transmitter is working properly, and the connection between transmitter and receiver is successful.

Off: The transmitter is not working properly.

4. SPDIF IN

Connect to an audio source device.

5. ARC IN

Connect to an HDMI display such as a TV.

6. SPDIF/ARC Switch

ARC: Configure ARC channel feed by TV. (Default)

SPDIF: Configure auxiliary S/PDIF input, pass optical audio from transmitter to receiver unit.

4.2. B-260-ARC Receiver



1. POWER

Connect to the power adapter provided. On Many TV's the B-260-ARC RX can be connected to the TV USB connector for power.

2. UTP IN

Connect to UTP OUT port of the transmitter.

3. STATUS LED

On: The receiver is working properly but the connection between receiver and transmitter is not successful.

Blinking: The receiver is working properly, and the connection between receiver and transmitter is successful.

Off: The receiver is not working properly.

4. SPDIF OUT

Connect to AVR or other audio device.

5. ARC OUT

Connect to an AV receiver.

6. SPDIF/ARC Switch

ARC: Configure ARC channel feed by TV. (Default)

SPDIF: Configure auxiliary S/PDIF output, pass optical audio from transmitter to receiver unit.

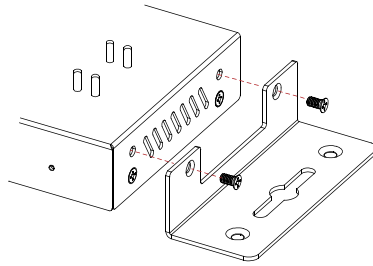
5. INSTALLATION & WIRING

5.1. Installation

Warning: Before installation, please ensure the device is disconnected from the power supply.

Steps to install the device in a suitable location:

1. Attach the mounting ear to the enclosure using the screws provided in the package.
2. The mounting ear is attached to the enclosure as shown.



3. Repeat steps 1-2 for the other side of the transmitter.
4. Attach the brackets to the surface or wall you want to hold the unit against using the provided mounting screws (ST3.5mm*L25mm, black, countersunk head with cross, self-tapping screws).
5. Repeat steps 1-4 to install the receiver.

5.2. Wiring

Warnings:

- Before wiring, disconnect the power from all devices.
- During wiring, connect and disconnect the cables gently.

Wiring 1: ARC Mode

Note: When you want to configure ARC channel feed by TV: ensure AV receiver and TV support ARC function and CEC should be set to enable.

1. Connect a TV to ARC IN port of the transmitter.
2. Connect an AV receiver to ARC OUT port of the receiver.
3. Connect the UTP OUT port of transmitter to UTP IN port of the receiver.
4. Switch both the DIP switches of transmitter and receiver to ARC mode.
5. Set CEC function of the TV to on.
6. Switch the AV receiver to ARC channel.
7. Connect USB ports of transmitter and receiver to the provided power adapters.
8. Power on all devices. The audio signal of TV through ARC IN port will be transmitted to the AV receiver connected to ARC OUT Port of receiver. (See Figure 1)

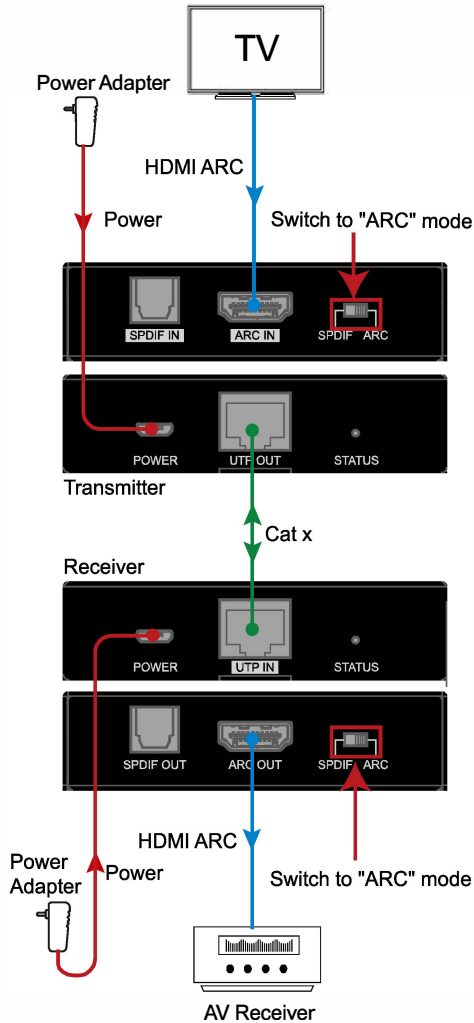


Figure 1 ARC Mode

Wiring 2: SPDIF Mode

1. Switch both the DIP switches of transmitter and receiver to SPDIF mode.
2. Connect an audio source to the SPDIF IN port of the transmitter.
3. Connect an audio device such as a stereo amplifier to the SPDIF OUT port of the receiver.
4. Connect USB ports of transmitter and receiver to the provided power adapters.
5. Power on all attached devices. Audio signal from SPDIF IN port will be transmitted to SPDIF

OUT port. (See Figure 2)

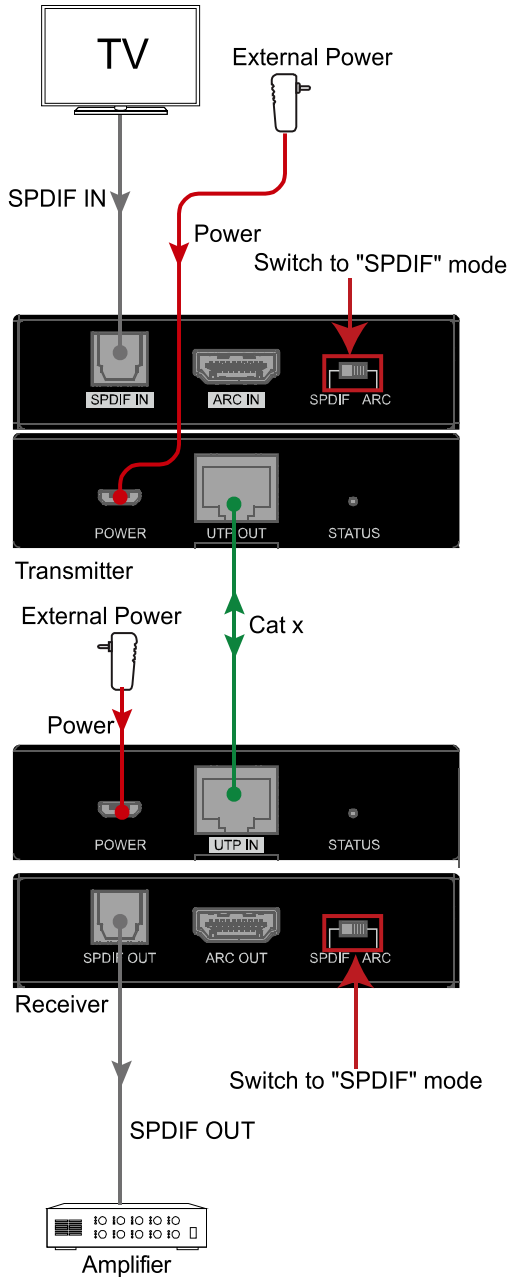
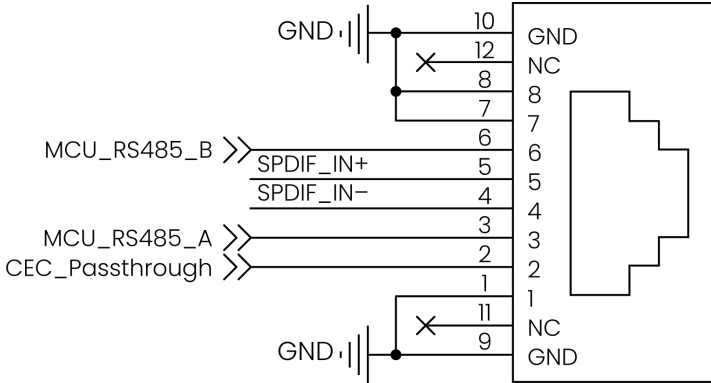


Figure 2 SPDIF Mode

UTP Pinout Diagram



Pins 1, 7, and 8 are not used. One of these three pins should be reserved for GND, which leaves two unused pins.

6. SPECIFICATIONS

Technical	
Input/Output Port	Transmitter: 1 x ARC IN, 1 x SPDIF IN, 1 X UTP OUT, 1 x POWER (Micro USB) Receiver: 1 x ARC OUT, 1 x SPDIF OUT, 1 X UTP IN, 1 x POWER (Micro USB)
Input/Output Audio formats Supported	HDMI: PCM 2.0CH, Dolby 5.1CH, DTS 5.1CH SPDIF: PCM 2.0CH, Dolby 5.1CH, DTS 5.1CH
Control Method	DIP Switches

General	
Operating Temperature	0°C to 40°C (32°F to 104°F)
Storage Temperature	-20°C to 60°C (-4°F to 140°F)
Humidity	10% to 90%, non-condensing
ESD Protection	Human-body Model: ±15kV (Air-gap discharge)
Power Supply	DC 5V 1A
Power Consumption (Max)	0.4W (Transmitter/Receiver)
Device Dimension (W x H x D)	80mm x 20mm x 70mm/3.15" x 0.79" x 2.76" (Transmitter/Receiver, without mounting ears)
Product Weight	0.18kg/0.40lb (Transmitter/Receiver)

6.1. Transmission Distance

Note: Straight-through category cable wired to T568B standard is recommended.

Cable Type	Range
Cat 5e/6/6a/7	150m/492ft

7. WARRANTY

2-Year Limited Warranty

This Binary product has a 2-Year limited warranty. This warranty includes parts and labor repairs on all components found to be defective in material or workmanship under normal conditions of use. This warranty shall not apply to products that have been abused, modified or disassembled. Products to be repaired under this warranty must be returned to SnapAV or a designated service center with prior notification and an assigned return authorization number (RA).

8. SUPPORT

Need Help? Contact Tech Support!

If you need further clarification, please call tech support at **800.838.5052**, or email **support@snapav.com**. For other information, instructional videos, support documentation, or ideas, visit our website and view your item's product page at **www.snapav.com**.

BINARY®