



Scan for full manual

## WP-SW2-EN7 Quick Start Guide

This guide helps you install and use your WP-SW2-EN7 for the first time.

Go to [www.kramerav.com/downloads/WP-SW2-EN7](http://www.kramerav.com/downloads/WP-SW2-EN7) to download the latest user manual and check if firmware upgrades are available.

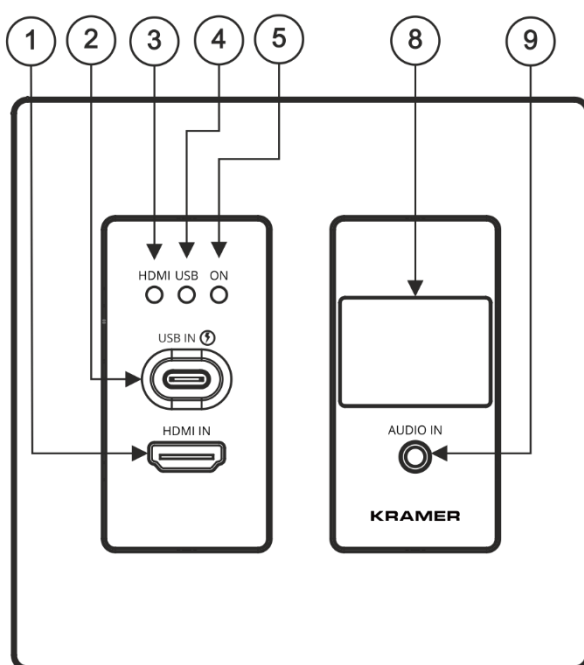
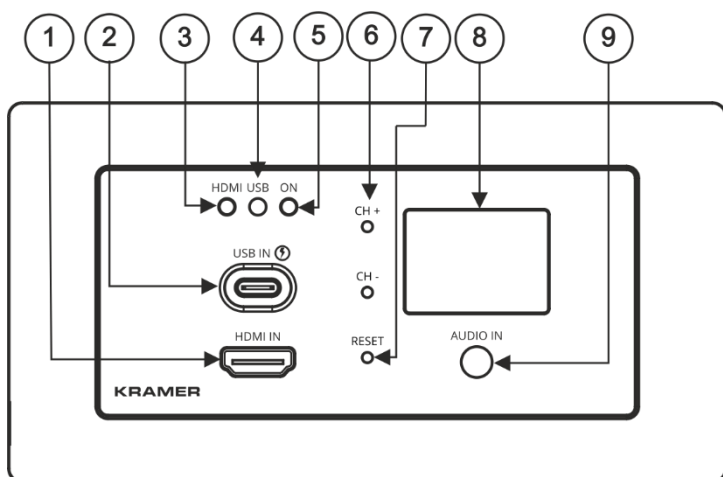
### Step 1: Check what's in the box


- ✔ WP-SW2-EN7 4K AVoIP Encoder
- ✔ Frame (or frame set) and faceplate
- ✔ Installation accessories
- ✔ 1 Quick start guide

### Step 2: Get to know your WP-SW2-EN7

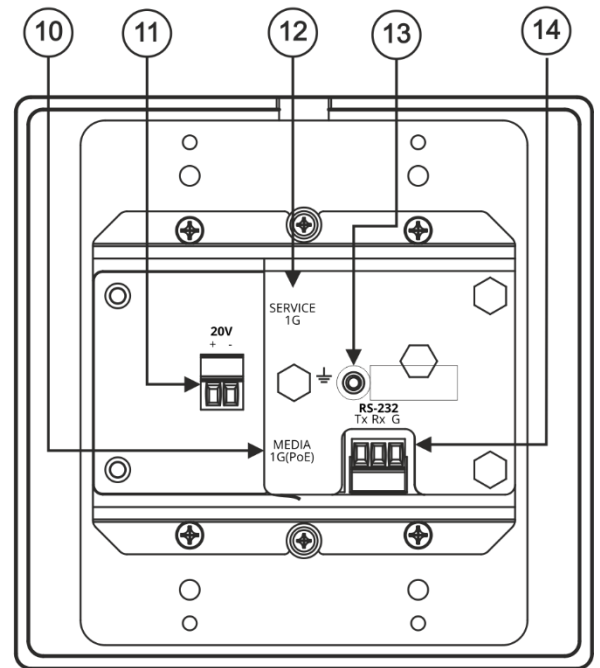
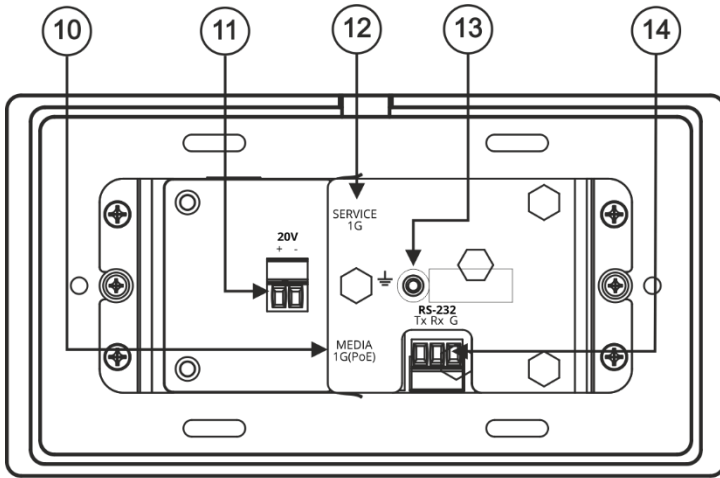
EU/UK

US



#	Feature	Function	
1	HDMI IN Connector	Connect to an HDMI source.	
2	USB IN  Port	Connect to a USB-C source. When powered by a Kramer 20V power supply (optional), charges sources that support USB Power Delivery 2.0 up to 60W.	
3	HDMI LED	Lights Green	HDMI input is selected, HDMI is connected and signal is received.
		Flashes Green	HDMI input is selected, HDMI is connected and no signal is received.
		Off	The HDMI is not selected or not connected.
4	USB LED	Lights Green	USB-C input is selected, USB-C is connected and signal is received.
		Flashes Green	USB-C input is selected, USB-C is connected, no signal is received.
		Off	USB-C is not selected or not connected.
5	ON LED	Flashes Red	On fallback address acquiring, device 'ON' LED flashes continuously in slow 0.5/10sec cadence.
		Lights Green	When power is on.
		Flashes Green Fast	FW is downloaded in the background.
		Flashes Green Very Fast (for 60sec)	A device identification command is sent (Flag me).
		Lights Yellow	Device falls back to default IP address.

#	Feature	Function
6	CH+ / CH-	Click the recessed CH buttons to configure the channel ID. The channel ID will show in the LCD display. On the US model, access to these buttons requires removal of the frame.
7	RESET	Press and hold for 10 seconds to reset the device to its factory default values. All LEDs flash. On the US model, access to this button requires removal of the frame.
8	LCD Display	Shows the channel number of <b>WP-SW2-EN7</b> . Use for device configuration such as input selection, unique channel/AV stream setting and EDID.
9	AUDIO IN 3.5mm Mini Jack	Connect to an audio source.

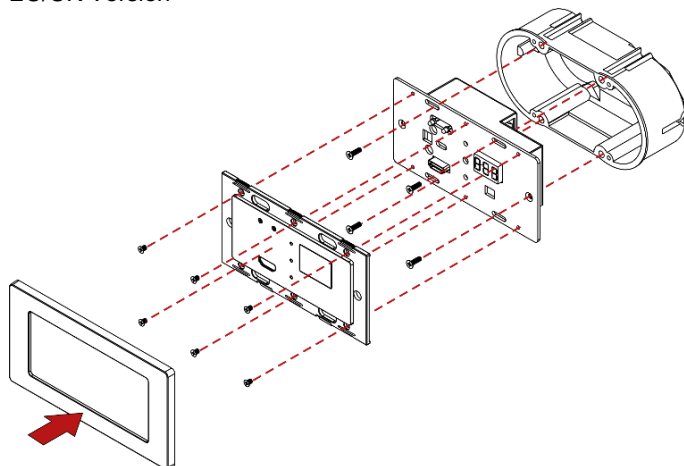


#	Feature	Function
10	LAN MEDIA 1G(PoE) RJ-45 Port	Unicast: connect for streaming either directly to a decoder or via LAN. Multicast: connect to multiple decoders or connect to one decoder to which multiple decoders are daisy-chained via SERVICE (1G) port.
11	20V/6A DC Connector	Connect to the power adapter (purchased separately).
12	LAN SERVICE 1G RJ-45 Port	Used optionally for physical separation between AV and command streams to separate LAN for security and reliability purposes.
13	Ring Tongue Terminal Grounding Screw	Connect to grounding wire (optional).
14	RS-232 3-pin Terminal Block Connector	Connect to an RS-232 device to use as a Gateway and bi-directional serial control signal extension (even when no AV signal is extended).

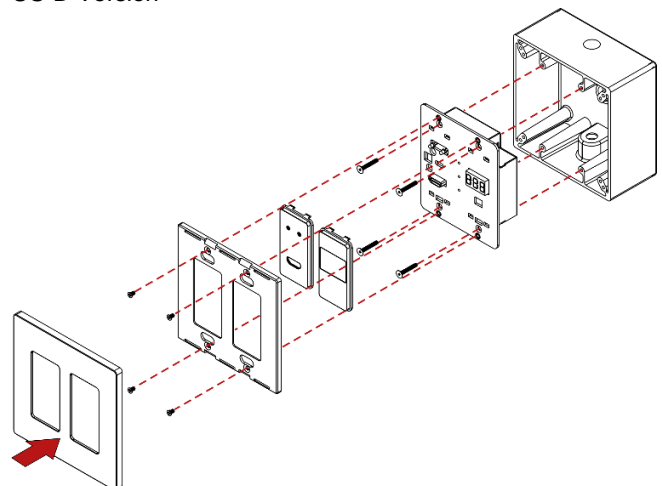
### Step 3: Mount WP-SW2-EN7

Insert the device into the in-wall box (note that first you need to connect the RS-232 and LAN/POE RJ-45 Connector cables and/or power) and connect the parts as shown in the illustration:

EU/UK Version



US-D Version



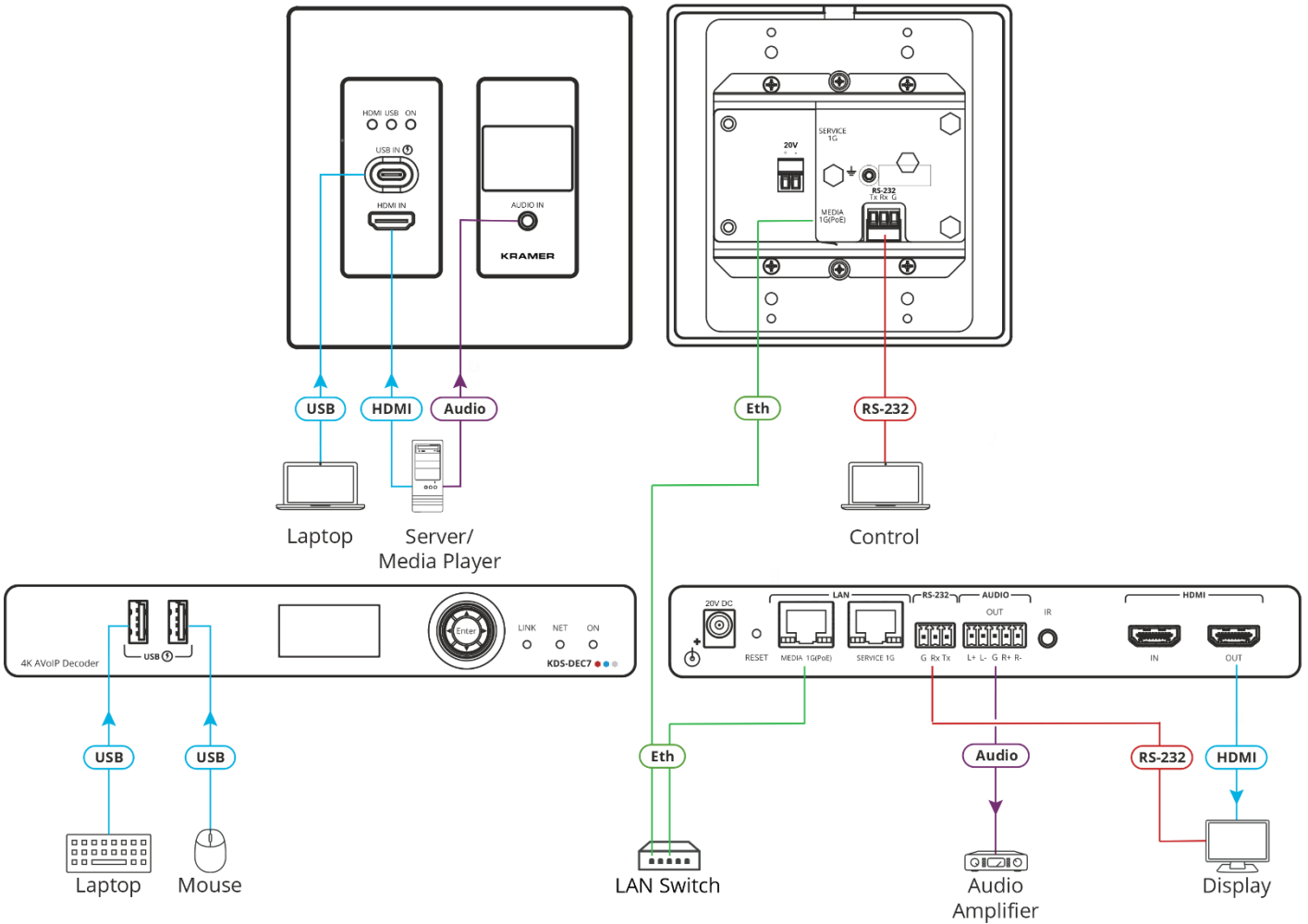
DECORA® design frames are included in US-D models.

We recommend that you use any of the following standard 2 Gang in-wall junction boxes (or their equivalent):

- **US-D:** 2 gang US electrical junction boxes.
- **EU:** 2 gang in-wall junction box, with a cut-hole diameter of 2x68mm and depth that can fit in both the device and the connected cables (DIN 49073).
- **UK:** 2 gang in-wall junction box (BS 4662), 135x75mm (W, H) and depth that can fit in both the device and the connected cables.
- **EU/UK:** 2 gang on-wall junction box (use the recommended Kramer on-wall box available at [www.kramerav.com/product/WP-SW2-EN7](http://www.kramerav.com/product/WP-SW2-EN7)).

## Step 4: Connect inputs and outputs

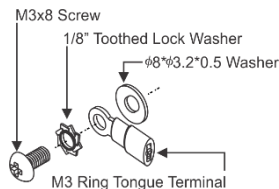
Always switch OFF the power on each device before connecting it to your WP-SW2-EN7. Note that KVM is supported only when the USB-C port is connected.



### RS-232 Configuration

RS-232 Control	
Baud Rate:	115,200
Data Bits:	8
Stop Bits:	1
Parity:	None

### Grounding the WP-SW2-EN7 (Optional)



1. Connect the ring tongue terminal to the building grounding point wire (a green-yellow, AWG#18 (0.82mm<sup>2</sup>) wire, crimped with a proper hand-tool is recommended).
2. Insert the M3x8 screw through the toothed lock washer, the tongue terminal and the washer in the order shown above.
3. Insert the M3x8 screw (with toothed lock washer ring tongue terminal and washer) into the grounding screw hole and tighten the screw.



To achieve specified extension distances, use the recommended Kramer cables available at [www.kramerav.com/product/WP-SW2-EN7](http://www.kramerav.com/product/WP-SW2-EN7). Using third-party cables may cause damage!

---

## Step 5: Connect power

When accepting power from a PoE provider, there is no need to connect a 20V DC power supply (purchased separately). Otherwise, connect the 20V power adapter to the device and plug the power supply into the mains electricity.

### Safety Instructions



#### Caution:

- For products with relay terminals and GPIO ports, please refer to the permitted rating for an external connection, located next to the terminal or in the User Manual.
- There are no operator serviceable parts inside the unit.

#### Warning:

- Use only the power cord that is supplied with the unit.
- Disconnect the power and unplug the unit from the wall before installing.
- Do not open the unit. High voltages can cause electrical shock! Servicing by qualified personnel only.
- To ensure continuous risk protection, replace fuses only according to the rating specified on the product label which located on the bottom of the unit.

The terms HDMI, HDMI High-Definition Multimedia Interface, and the HDMI Logo are trademarks or registered trademarks of HDMI Licensing Administrator, Inc.

---

## Step 6: Operate WP-SW2-EN7

### Allocating the IP Address via LCD screen menu

WP-SW2-EN7's default IP address is 192.168.1.39. By default, DHCP is enabled, and assigns an IP address to the device. If a DHCP Server is not available (for example, in the case that the device is connected directly to a laptop) the device gets the default IP address. If this IP addresses is already in use, the system searches for a random unique IP in the range of 192.168.X.Y. and the allocated IP address can be identified using the Kramer **KDS-7-MNGR**.

### Setting the Channel Number

Each encoder requires a unique channel number, and the connected decoders should be tuned to that encoder channel. You can set the channel number via the LCD display or the embedded web pages.

#### To set the WP-SW2-EN7 channel number via the LCD display:

1. Connect the device to the 20V DC power adapter and connect the adapter to the mains electricity. The ON LED lights green.
2. The channel number is displayed on the LCD screen. Use the recessed CH+/- buttons to change the channel number and set a unique channel number. On US units, access to the CH+/- buttons requires removal of the frame set.

#### To set the channel number via webpages:

1. Connect the **WP-SW2-EN7** Ethernet port to the network and power the device.
2. Access the embedded web pages.
3. The **Main** page provides **AV Routing** options.
4. Select **Channel ID** and define the channel ID number.