

## 568B TERMINATION PATTERN FOR RJ45 CONNECTORS

### TIA/EIA Standard 568B (Gold pins facing up)

Pin 1	White/Orange	Pin 5	White/Blue
Pin 2	Orange	Pin 6	Green
Pin 3	White/Green	Pin 7	White/Brown
Pin 4	Blue	Pin 8	Brown



### TROUBLESHOOTING

Wirepath™ structured wiring modules are designed for trouble-free function. Most problems that occur are due to simple issues. If you have trouble, please check the list of simple fixes below. If the problem persists, contact your authorized Wirepath dealer or Wirepath customer service at 866.838.5052.

#### NO TELEPHONE SIGNAL

- Verify that there is signal on the input being used.
- Check all wiring connections on output(s) with no signal, including any wall-plate connections at the remote location.
- Disconnect RJ-31X cable if this option is being used. Retry operation.
- Check jumper wire from WP-MOD-RJ45-TEL1X12 if the only trouble is with locations connected to the WP-MOD-TELEP16.

### CONTACTING TECHNICAL SUPPORT

Phone: 866.838.5052

Email: [TechnicalSupport@SnapAV.com](mailto:TechnicalSupport@SnapAV.com)

### 2-YEAR LIMITED WARRANTY

This Wirepath™ Structured Wiring product has a 2-Year Limited Warranty. This warranty includes parts and labor repairs on all components found to be defective in material or workmanship under normal conditions of use. This warranty shall not apply to products that have been abused, modified, or disassembled. Products to be repaired under this warranty must be returned to SnapAV or a designated service center with prior notification and an assigned return authorization number (RA).

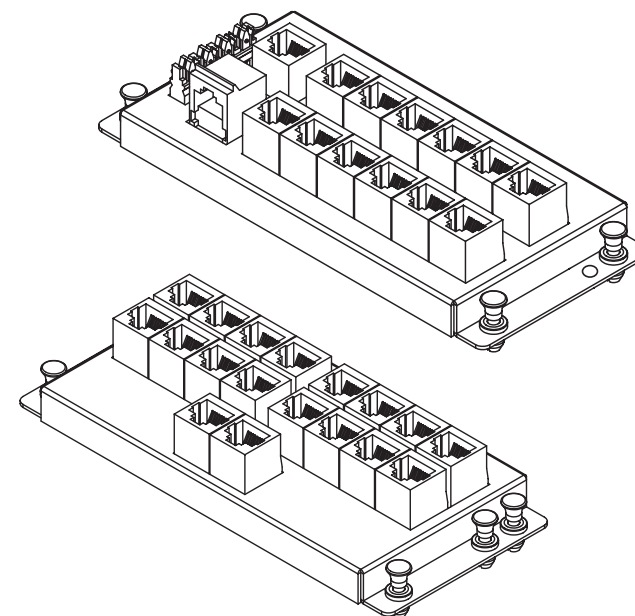
# WIREFATH

## STRUCTURED WIRING

### INSTALLATION GUIDE

>> WP-MOD-RJ45-TEL1X12  
>> WP-MOD-RJ45-TELEP16

#### TELEPHONE MODULES



## INTRODUCTION

Thank you for purchasing from Wirepath™, one of the highest-valued lines available in structured wiring today. We appreciate your purchase and are committed to being the best choice for your needs.

The Wirepath WP-MOD-RJ45-TEL1X12 and WP-MOD-TELEP16 telephone modules have been designed with advanced components that allow high performance while being flexible enough for any type of installation.

## IMPORTANT SAFETY INSTRUCTIONS

- Read and understand all instructions.
- Do not use this product near water, such as a bath tub, wash bowl, sink, pool or in a wet basement.
- Never install wiring for telephones during a lightning storm.
- Never touch bare telephone wires or connections unless the main line has been disconnected at the interface.
- Use caution when installing, terminating or modifying any type of wire.

## FEATURES

### EXPANSION PORTS

To expand beyond 12 locations, connect modules using a jumper terminated to 568B specification (see back page or bottom of module for termination pattern). Multiple modules can be daisy chained. The limit will vary based upon the installation.

### WP-MOD-RJ45-TEL1X12 - UP TO 4 TELEPHONE LINES AND 12 LOCATIONS

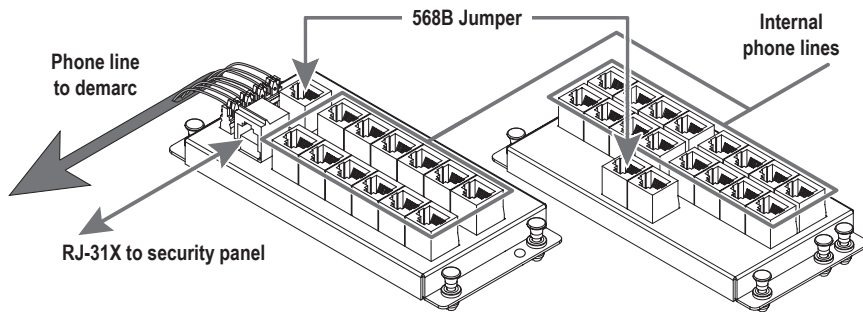
Choose either a 110 punchdown or RJ45 expansion port to connect to the demarc. Up to 12 locations may be connected using any size wire connector up to RJ45.

### WP-MOD-RJ45-TELEP16 - TELEPHONE EXPANSION FOR UP TO 4 LINES TO 16 LOCATIONS

The WP-MOD-RJ45-TELEP16 can be connected to the WP-MOD-RJ45-TEL1X12 using a 568B jumper cable to provide 16 additional locations with extra jumper connection ports for additional modules.

### RJ-31X JACK FOR EASY INTEGRATION WITH SECURITY SYSTEMS

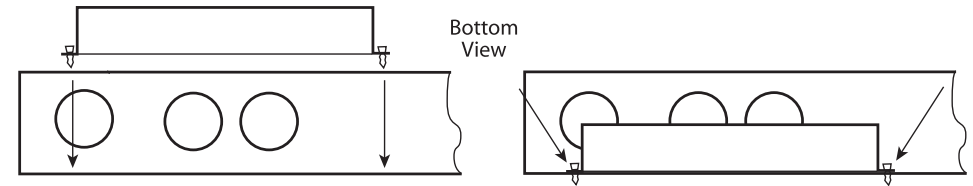
The built-in RJ-31X jack uses the industry standard of interrupting the center pins and routing them through a security panel and requires no cutting or splicing.



## INSTALLATION

### PLACING YOUR WIREPATH STRUCTURED WIRING MODULE

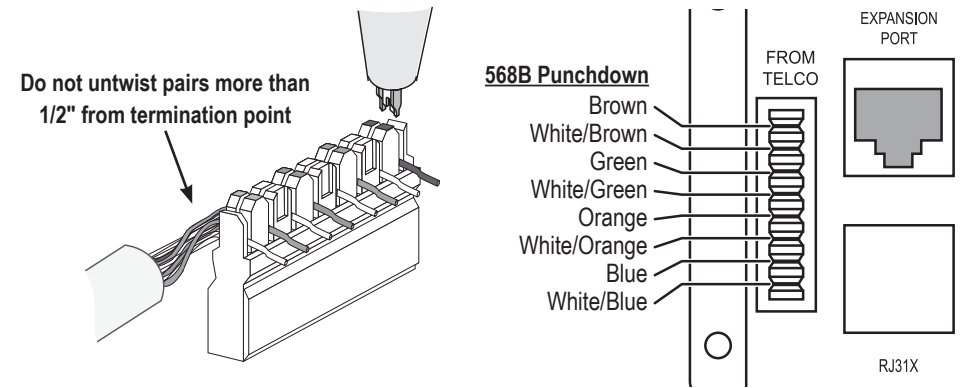
Wirepath™ structured wiring modules are designed to fit Wirepath enclosures and most other major brands. Plan the placement of each module in the can based on how the wire is entering the enclosure, and to allow for the cleanest routing of wires. Use the included snap-in pins to secure the module to the can.



### PHONE WIRING

Phone lines can be connected to any port using a 568B terminated jumper, or punched down to the built-in termination point using a 110 style punchdown tool.

**IMPORTANT!** Use a 110 punchdown tool only when terminating wires. Other tools, like screwdrivers, can warp the termination springs, preventing them from making contact with conductors through the wire insulation.



### RJ-31X WIRING (WP-MOD-RJ45-TEL1X12 only)

The RJ-31X connection can be used to loop one phone line to a security system. Terminate a cable to the following pattern to make the connection:

