

WIREFATH

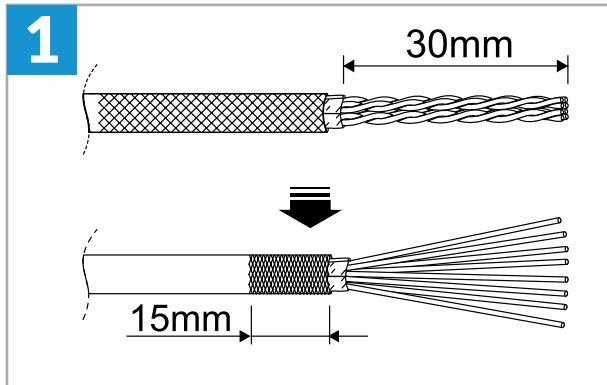
BULK WIRE

WP-CAT78-RJ45-SHLD Shielded Keystone

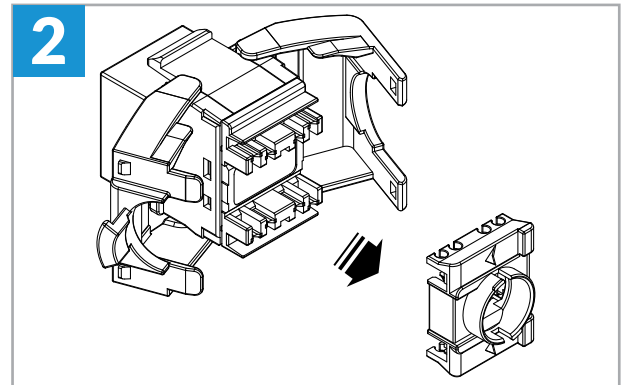
Tools Needed:

- Wire Cutters
- Flathead screwdriver

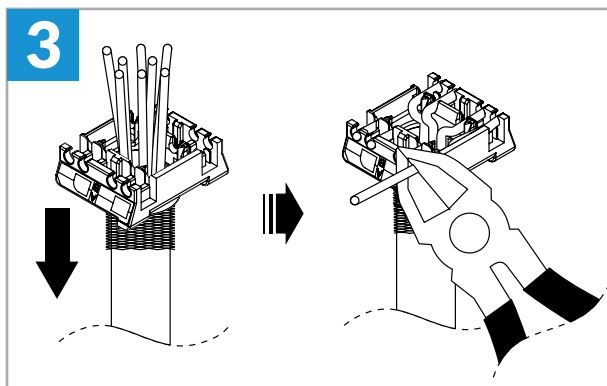
Installation



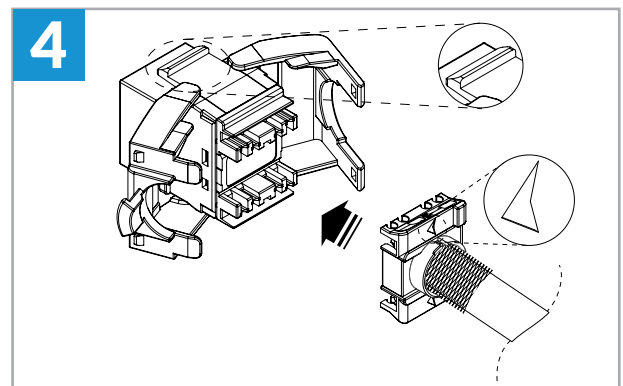
Remove 30mm of the cable jacket. Untwist and straighten the wires. Keep 15mm of the braid foil.



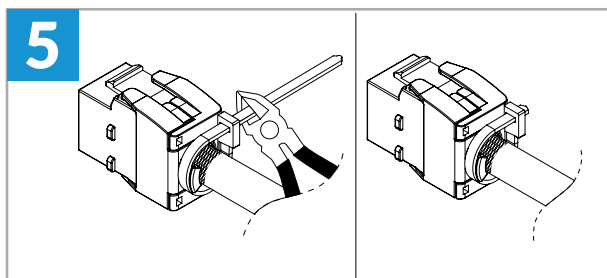
Open the clamps and remove the cap.



Thread the cable through the cap. Seat each color of wire into its matching cap position. Trim excess wire.

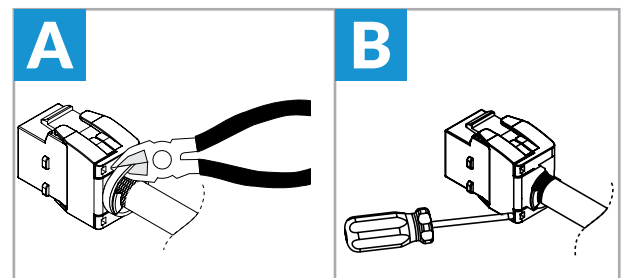


Check that the wired cap is aligned properly. Insert it into the keystone and close the clamps.



Wrap the supplied cable tie around the wired cap as shown, then tighten it. Trim the cable tie.

Removal



Cut the cable tie.

Insert a flathead screwdriver to unlock the clamps and remove.