

WIREFATH

BULK WIRE

SP-RG6Q-PL-1000

- 18 AWG, RG6 Quadshield, CMP

Features

- CMP Rated RG6 Quad Shielded Coax Cable
- Solid Bare Copper conductor
- Spooled

Application

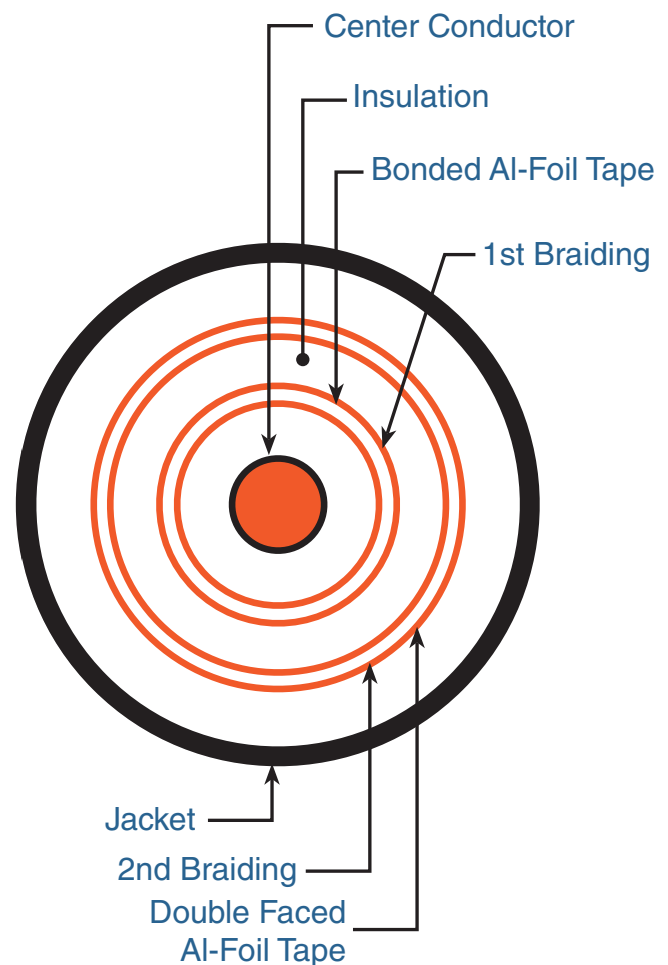
- Satellite Installations
- CATV and HDTV
- Communications Circuits

Flame Test

- FT6 Rated

Applicable Standards

- UL Listed
- NEC/(UL) Specifications CMP
- NEC Articles 800
- CEC/(UL) Specifications CMP



WIREFATH

BULK WIRE

Material and Construction		
Center Conductor	Construction	Solid Bare Copper
	AWG	18
	Diameter	1.02 ± 0.01mm
Insulation	Material	Foam FEP
	Diameter	4.32 ± 0.10mm
Shielding	Foil Tape	Aluminum/Poly (Bonded)
	Inner Braid Shield	Aluminum (60% coverage)
	Foil Tape	Aluminum/Poly
	Outer Braid Shield	Aluminum (40% coverage)
Jacket	Material	Plenum PVC
	Thickness	0.46 mm
	Outer Diameter	6.6 ± 0.3 mm
	Color	Black or White
Printing Legends: WIREFATH™ BULK WIRE BY SNAPAV COAX 18AWG RG6 SOLID BARE COPPER QUAD SHIELD c(UL)us CMP FT6 75C RoHS DDMMYY 000/1000 FT		

Color & Packaging	
Outer Jacket	Black or White
Packaging	1000ft on Wooden Spool
Dimensions (mm)	380 mm × 380 mm × 270 mm
Weight(lbs)	37.48

Use & Environmental Conditions	
Storage & Shipping	-20°C to 75°C
Installation	0°C to 60°C
Operation	-20°C to 75°C

WIREFATH

BULK WIRE

Electrical Characteristics		
Frequency (MHz)	Attenuation (dB/100')	Attenuation (dB/100m)
1	0.48	1.57
10	0.92	3.02
50	1.75	5.74
100	2.60	8.52
200	3.80	12.46
400	5.50	18.03
700	7.60	24.92
900	8.90	29.18
1000	9.30	30.49
1200	10.60	34.75
1450	12.00	39.34
1800	13.60	44.59
2200	14.80	48.52
3000	18.00	59.02