

TC-WC1 In Table Wireless Charger

FSR

Power Products Group

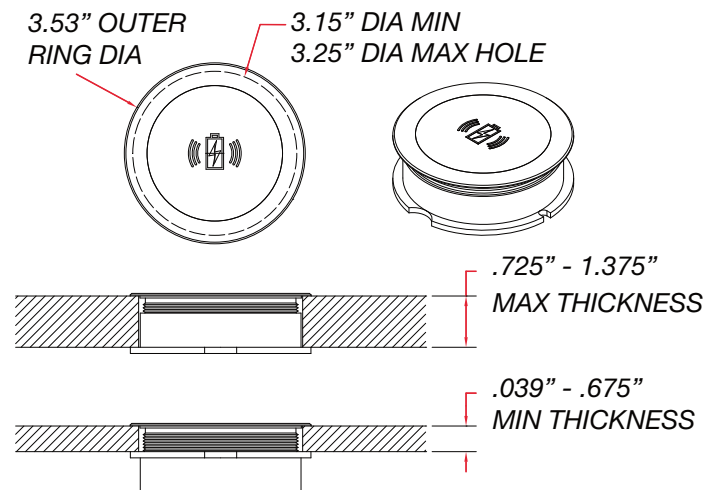
TC-WC1



DESCRIPTION

The TC-WC1 "In Table" Wireless Charger is compatible with all Qi Standard Devices and will fast charge any Samsung device with wireless adaptive fast charging as long as the unit is powered by an adaptive fast charge power supply. FSR provides these power supplies with certain models (See ordering table). The unit mounts through a hole cut in the table and is easily secured from under the table with the supplied threaded collar. The TC-WC1 is offered in Black or White to blend with the décor.

DIMENSIONS



FEATURES

- Convenient Simple Installation
- Water Resistant
- Anti-Skid Surface
- Fast Charging
- Available in Black or White
- Aluminum Bezel

SPECIFICATIONS

- Output: 10W (5V-1A; 9V-1.2A)
Qi Standard: Version WPC1.2
- Charging Distance: 0-.313" (0-8mm)
- Charging Efficiency: 75% max
- Warranty: 2 years
- Charging Area: 1 coil
- Material: Aluminum Alloy, ABS

Package contains

- Wireless charging pad
- 48" (1.2 meter) USB cable
- User Manual
- With or without adaptive fast charge wall charger (See ordering table)

ORDERING TABLE

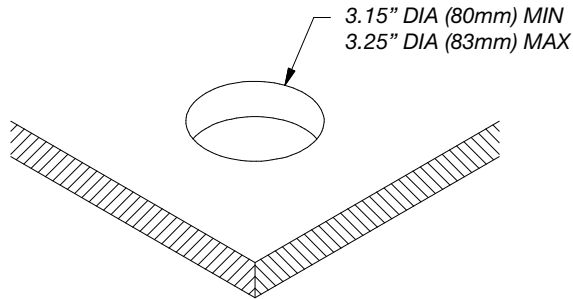
18000	TC-WC1-BLK CHARGER WITH POWER SUPPLY
18001	TC-WC1-BLK-NPS CHARGER W/O POWER SUPPLY
18002	TC-WC1-WHT CHARGER WITH POWER SUPPLY
18003	TC-WC1-WHT-NPS CHARGER W/O POWER SUPPLY

FSR Inc.

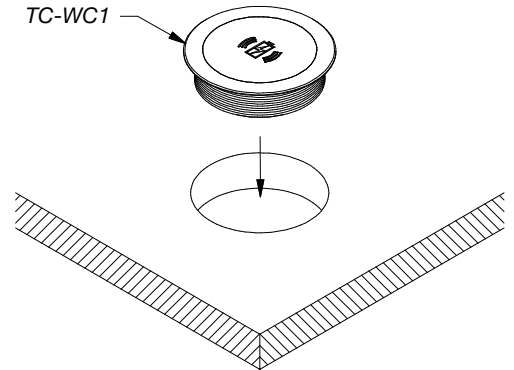
244 Bergen Boulevard, Woodland Park, NJ 07424
 Phone: 973.785.4347 · Fax: 973.785.4207
 Order Desk: 1-800-332-FSR1
 Web: www.fsrinc.com · E-mail: sales@fsrinc.com LIT1650

INSTALLATION INSTRUCTIONS

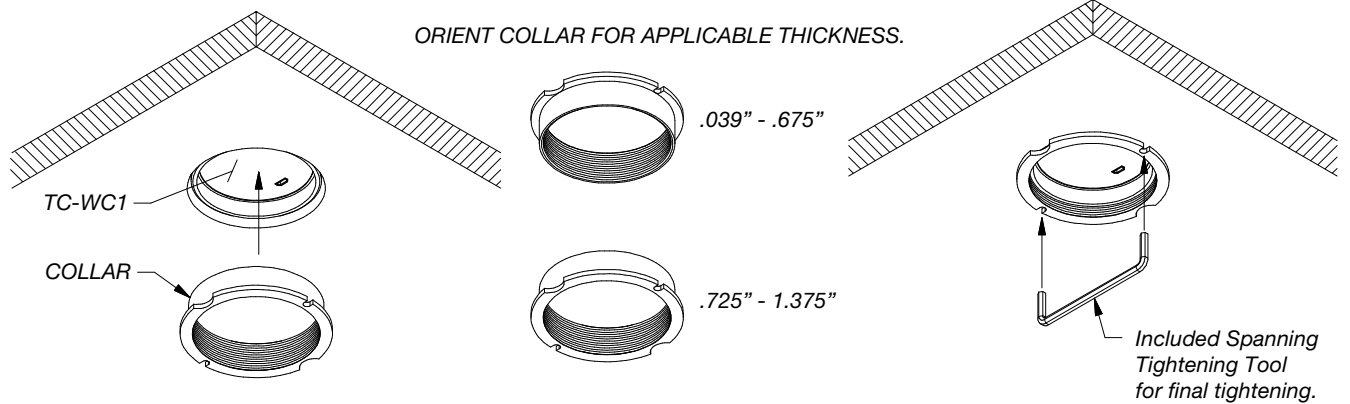
1. DETERMINE TC-WC1 LOCATION AND DRILL HOLE.



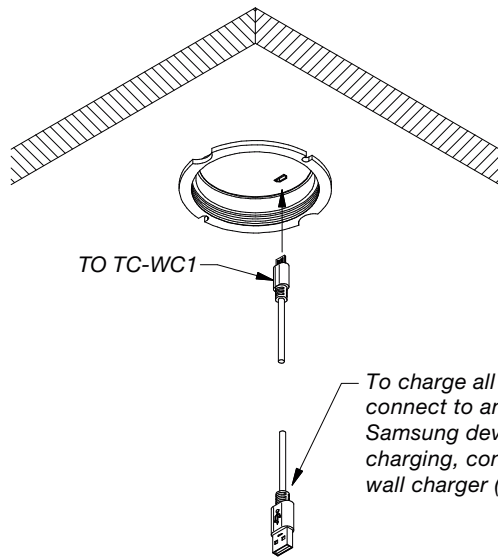
2. INSERT TC-WC1 INTO HOLE.



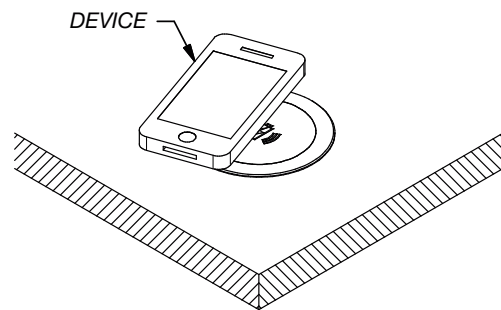
3. SECURE TC-WC1 WITH COLLAR. USE INCLUDED SPANNING TOOL TO SECURE TIGHTLY.



4. MAKE CONNECTIONS AS REQUIRED.



5. LAY DEVICE ON TOP OF CHARGER TO CHARGE DEVICE.



OUTPUT: 5V-1A; 9V-1.2A
 QI STANDARD: Version WPC1.2
 CHARGING DISTANCE: 0-8mm
 CHARGING EFFICIENCY: 75% MAX



Specifications are subject to change without notice.



244 Bergen Boulevard, Woodland Park, NJ 07424
 Phone: 973.785.4347 · Fax: 973.785.4207
 Web: www.fsrinc.com · E-mail: sales@fsrinc.com