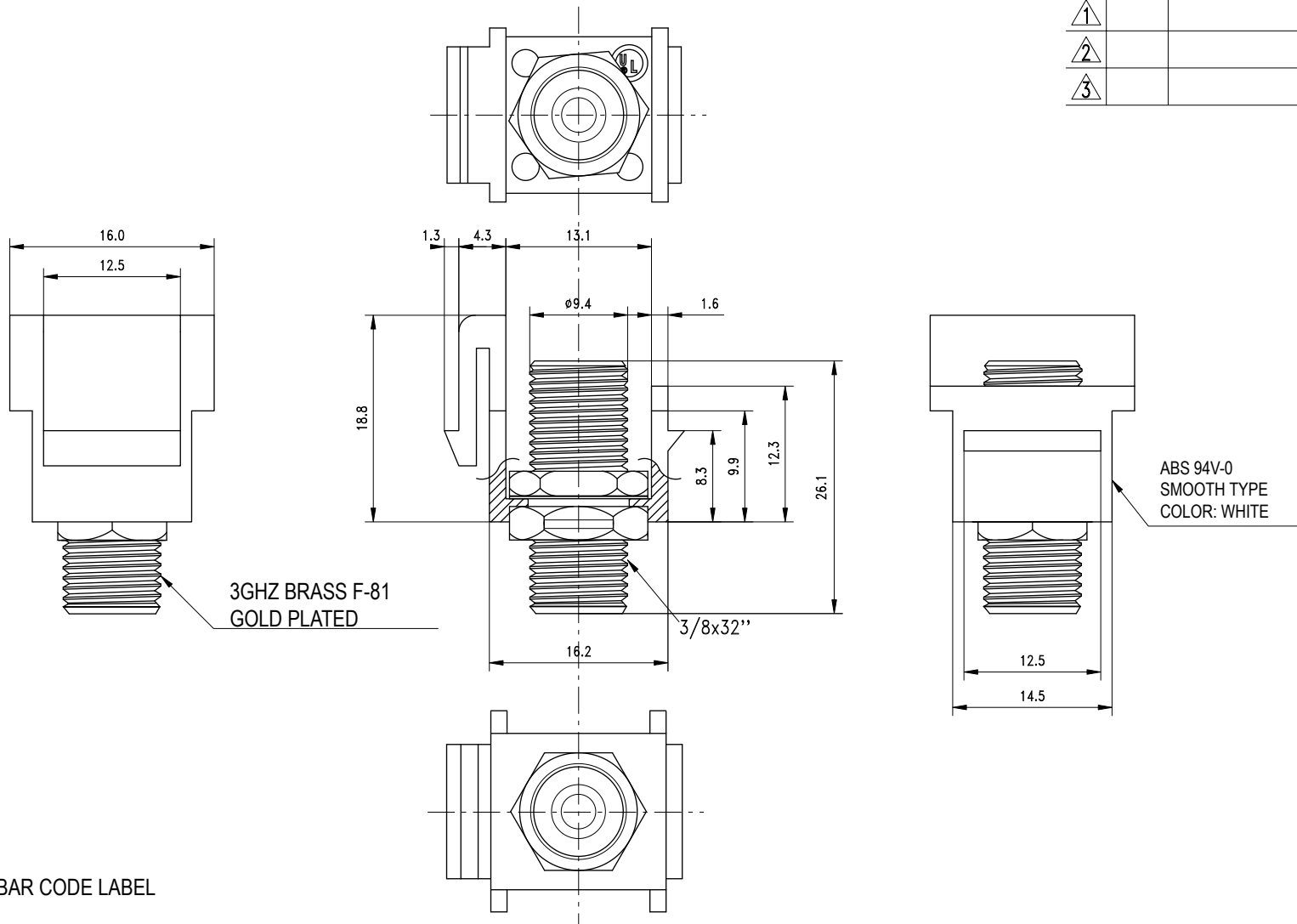


	ISSUE	REVISED	DATE
①			
②			
③			



PACKING:
1PC/PE BAG WITH BAR CODE LABEL



THESE DRAWINGS AND SPECIFICATIONS ARE THE PROPERTY OF DirectConnect® AND SHALL NOT BE REPRODUCED, COPIED OR USED IN ANY MANNER WITHOUT THE PRIOR WRITTEN CONSENT OF DirectConnect®.

DESCRIPTION : - KEYSTONE SNAP-ON WITH 3GHZ F-81

DATE	11/26/07	SCALE	1: 1		ISSUE: A	SHEET 1 OF 1	DIM.	TOLERANCE
SIZE	A4	DRAWN					0~3	±0.05
UNIT	MM	APRD.		CUSTOMER:	DWG No. 11709-3	20~50	±0.2	
						50~100	±0.5	